

# Protistor® size 14x51 aR

690VAC (IEC) / 700VAC (UL)

## SEMICONDUCTOR PROTECTION FUSES

### IEC HIGH-SPEED CYLINDRICAL FUSE-LINKS AC PROTECTION



These Protistor® size 14x51 have been designed to protect power semi conductors, complying with standard IEC 60269-4. They are extremely high interrupting rating fuses with large band of ratings (current rating 6 to 63A).

Two models are existing: with or without striker.

## TECHNICAL DATA OVERVIEW

Voltage AC	690 VAC
Rated Voltage	AC IEC: 690V AC UL: 700V DC UL: 500V
Ampere Range (A)	6 ... 63 A
Speed/Characteristic	aR
I.R. AC (IEC)	160 kA
I.R. AC (UL)	200 kA
I.R. DC (UL)	50 kA

## FEATURES & BENEFITS

- Low I<sup>2</sup>t for improved semiconductor protection
- Extremely fast acting
- Current limiting
- Excellent cycling capability
- UL recognized
- aR-class according to 60269-4

## APPLICATIONS

- Small inverters
- UPS systems
- Variable speed drives
- Other similar 700V or less equipments

## STANDARDS

- IEC 60269-4
- UL recognized
- CSA
- RoHS compliant



# Protistor® size 14x51 aR

690VAC (IEC) / 700VAC (UL)

## PRODUCT RANGE

### Size 14x51 aR with striker

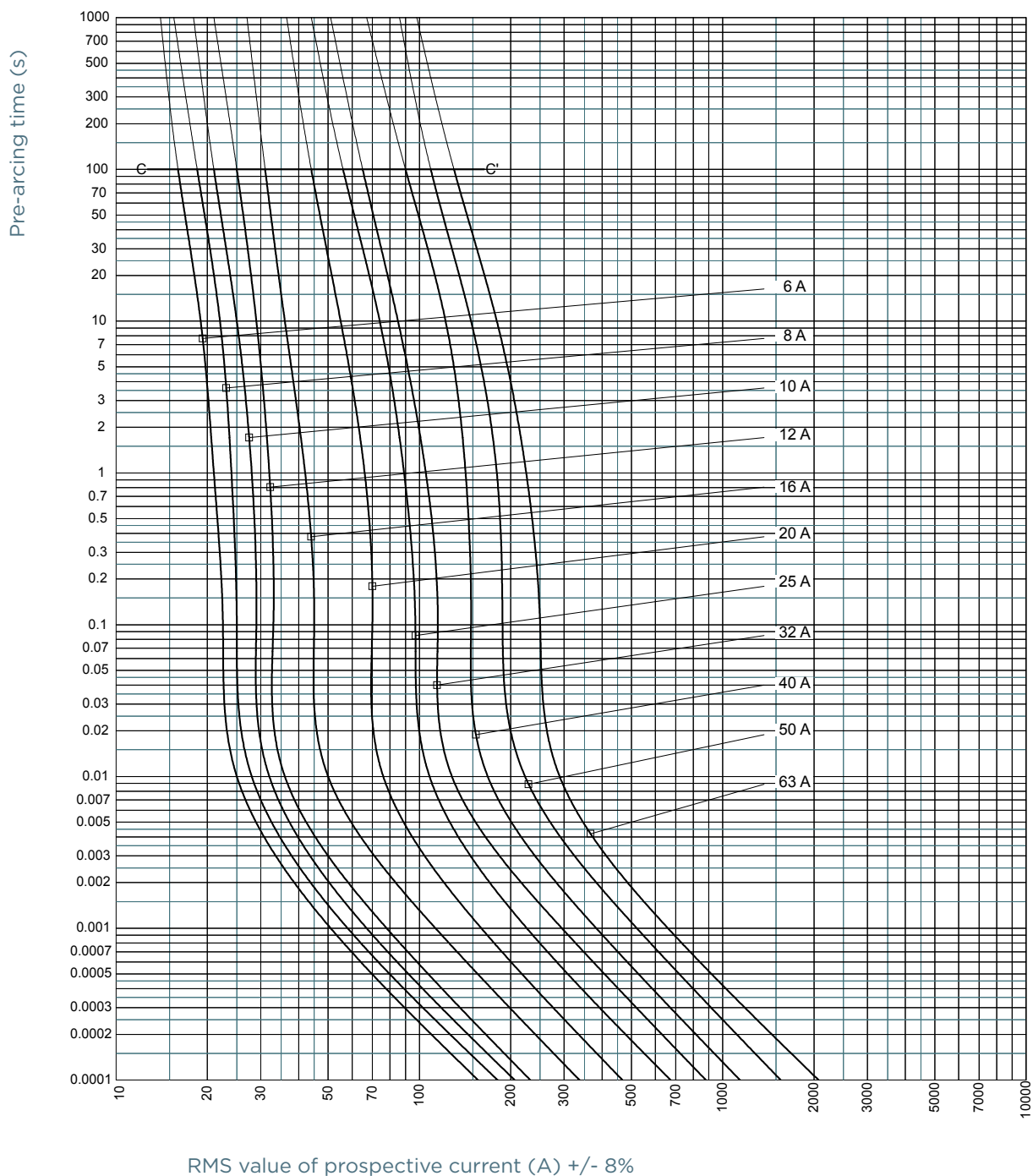
Catalog number	Item number	Rated voltage AC (IEC)	Rated current I <sub>n</sub>	Pre-arcing I <sup>2</sup> t	Clearing I <sup>2</sup> t at Rated Voltage	Rated breaking capacity AC	Power dissipation at I <sub>n</sub>	Package	Weight
FR14AR69V6T	P1056656	690 V	6 A	2.4 A <sup>2</sup> s	20 A <sup>2</sup> s	160 kA	1.5 W	10	20 g
FR14AR69V8T	Q1056657	690 V	8 A	3.3 A <sup>2</sup> s	30 A <sup>2</sup> s	160 kA	2 W	10	20 g
FR14AR69V10T	R1056658	690 V	10 A	4.3 A <sup>2</sup> s	40 A <sup>2</sup> s	160 kA	3 W	10	20 g
FR14AR69V12T	S1056659	690 V	12 A	5.4 A <sup>2</sup> s	55 A <sup>2</sup> s	160 kA	4 W	10	20 g
FR14AR69V16T	T1056660	690 V	16 A	11.3 A <sup>2</sup> s	100 A <sup>2</sup> s	160 kA	5 W	10	20 g
FR14AR69V20T	V1056661	690 V	20 A	21.7 A <sup>2</sup> s	160 A <sup>2</sup> s	160 kA	5.5 W	10	20 g
FR14AR69V25T	W1056662	690 V	25 A	45.3 A <sup>2</sup> s	345 A <sup>2</sup> s	160 kA	6 W	10	20 g
FR14AR69V32T	X1056663	690 V	32 A	77.4 A <sup>2</sup> s	500 A <sup>2</sup> s	160 kA	7.7 W	10	20 g
FR14AR69V40T	Y1056664	690 V	40 A	129.6 A <sup>2</sup> s	850 A <sup>2</sup> s	160 kA	9.2 W	10	20 g
FR14AR69V50T	Z1056665	690 V	50 A	241.1 A <sup>2</sup> s	1500 A <sup>2</sup> s	160 kA	11.2 W	10	20 g
FR14AR69V63T	A1056666	690 V	63 A	428.6 A <sup>2</sup> s	2600 A <sup>2</sup> s	160 kA	14.3 W	10	20 g

### Size 14x51 aR without striker

Catalog number	Item number	Rated voltage AC (IEC)	Rated current I <sub>n</sub>	Pre-arcing I <sup>2</sup> t	Clearing I <sup>2</sup> t at Rated Voltage	Rated breaking capacity AC	Power dissipation at I <sub>n</sub>	Package	Weight
FR14AR69V6	H1027325	690 V	6 A	2.4 A <sup>2</sup> s	20 A <sup>2</sup> s	160 kA	1.5 W	10	20 g
FR14AR69V8	J1027326	690 V	8 A	3.3 A <sup>2</sup> s	30 A <sup>2</sup> s	160 kA	2 W	10	20 g
FR14AR69V10	K1027327	690 V	10 A	4.3 A <sup>2</sup> s	40 A <sup>2</sup> s	160 kA	3 W	10	20 g
FR14AR69V12	L1027328	690 V	12 A	5.4 A <sup>2</sup> s	55 A <sup>2</sup> s	160 kA	4 W	10	20 g
FR14AR69V16	M1027329	690 V	16 A	11.3 A <sup>2</sup> s	100 A <sup>2</sup> s	160 kA	5 W	10	20 g
FR14AR69V20	N1027330	690 V	20 A	21.7 A <sup>2</sup> s	160 A <sup>2</sup> s	160 kA	5.5 W	10	20 g
FR14AR69V25	P1027331	690 V	25 A	45.3 A <sup>2</sup> s	345 A <sup>2</sup> s	160 kA	6 W	10	20 g
FR14AR69V32	Q1027332	690 V	32 A	77.4 A <sup>2</sup> s	500 A <sup>2</sup> s	160 kA	7.7 W	10	20 g
FR14AR69V40	R1027333	690 V	40 A	129.6 A <sup>2</sup> s	850 A <sup>2</sup> s	160 kA	9.2 W	10	20 g
FR14AR69V50	S1027334	690 V	50 A	241.1 A <sup>2</sup> s	1500 A <sup>2</sup> s	160 kA	11.2 W	10	20 g
FR14AR69V63	T1027335	690 V	63 A	428.6 A <sup>2</sup> s	2600 A <sup>2</sup> s	160 kA	14.3 W	10	20 g

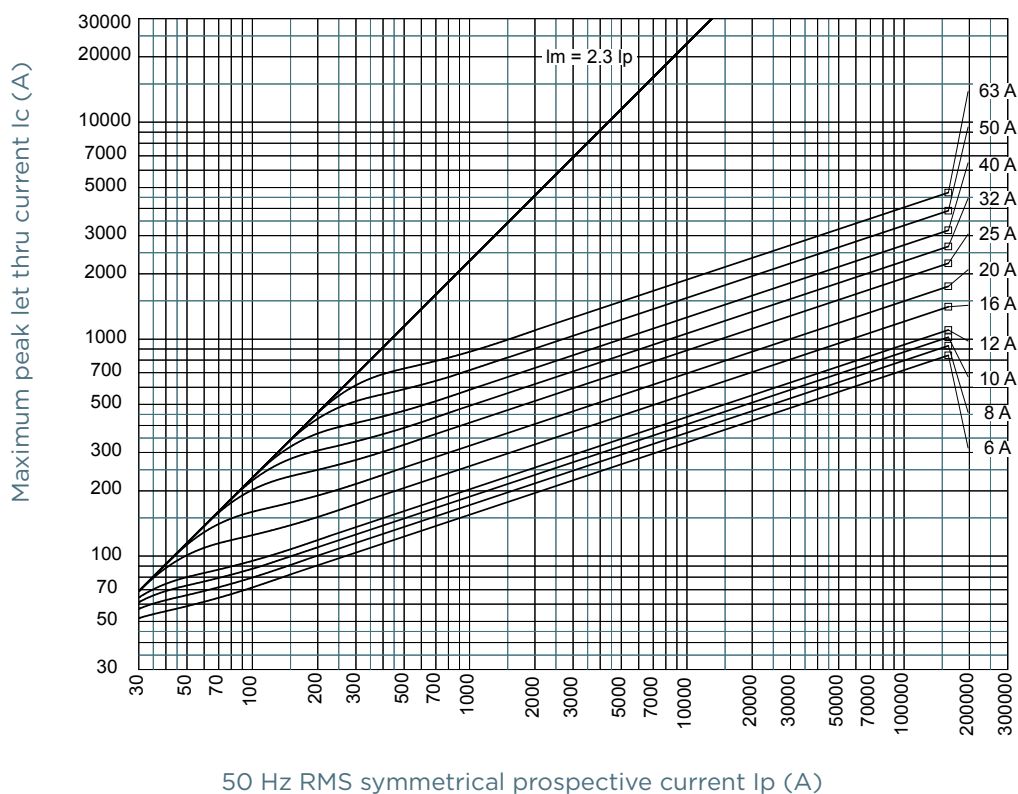
MERSEN reserves the right to change, update or correct, without notice, any information contained in this datasheet.

TIME CURRENT CHARACTERISTIC CURVES

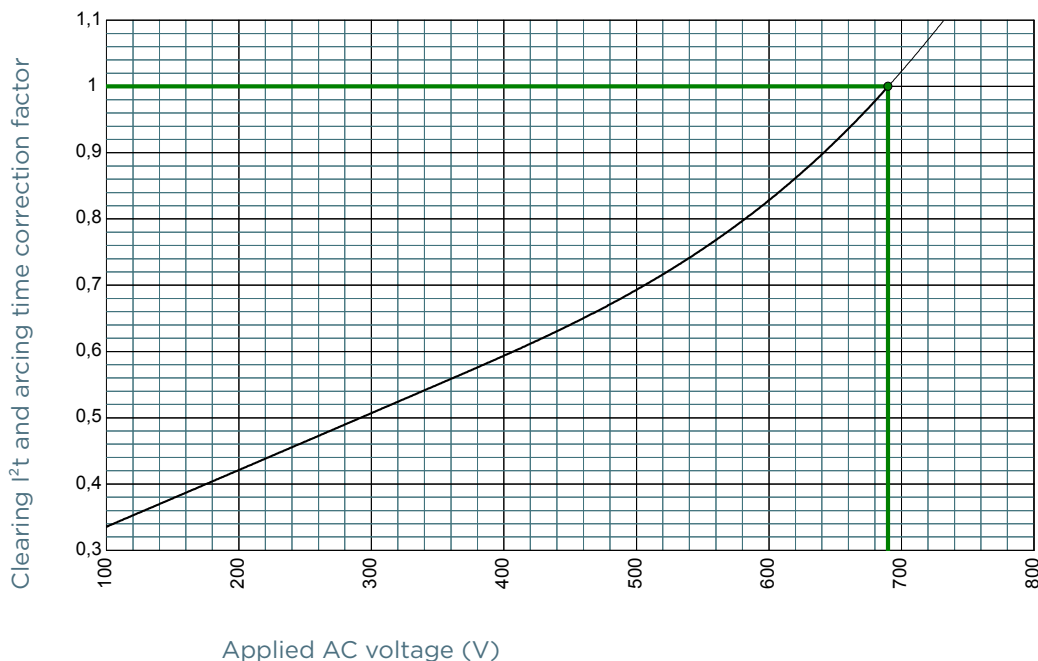


MERSEN reserves the right to change, update or correct, without notice, any information contained in this datasheet.

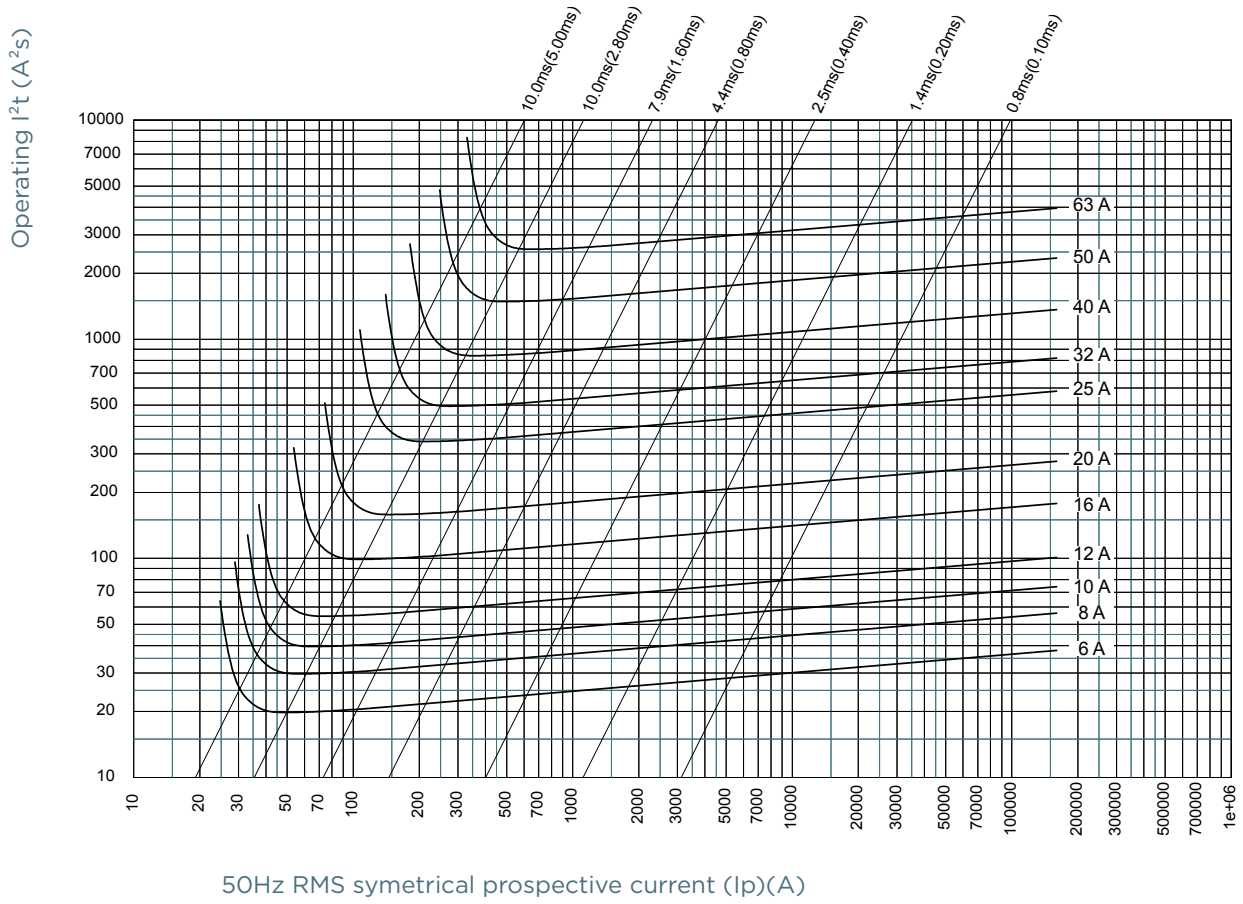
## CUT-OFF CURRENT CHARACTERISTIC



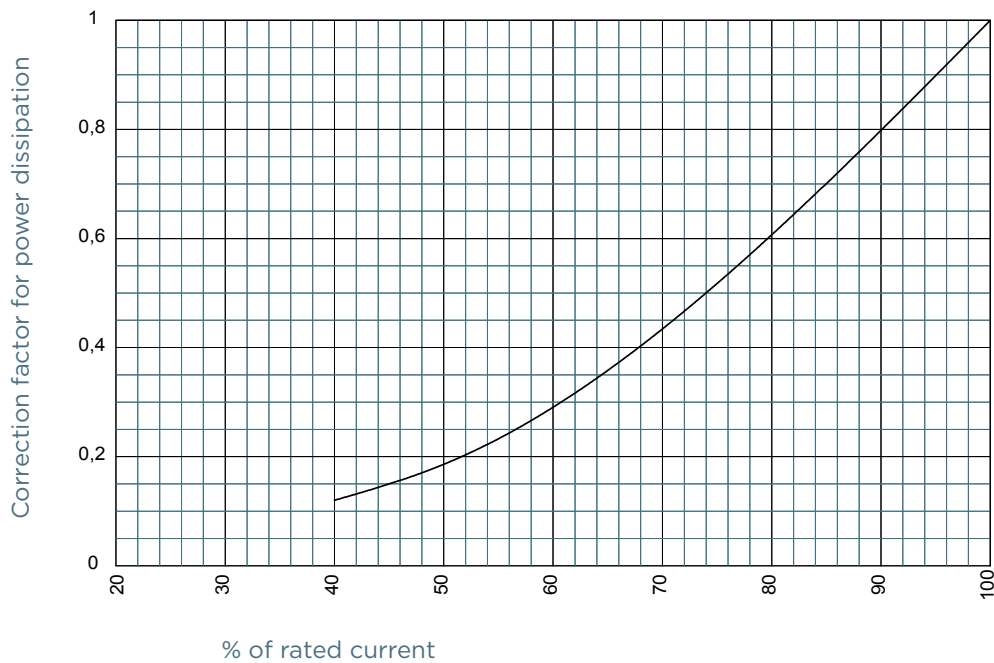
## I<sup>2</sup>T MULTIPLIER COEFFICIENT



CHARACTERISTICS TOTAL I<sup>2</sup>T CURVE



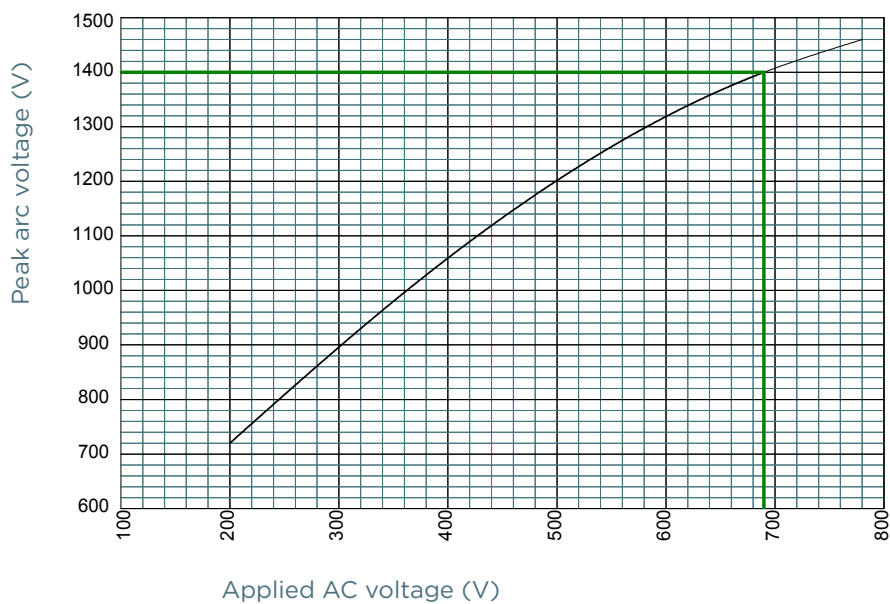
POWER DISSIPATION



# Protistor® size 14x51 aR

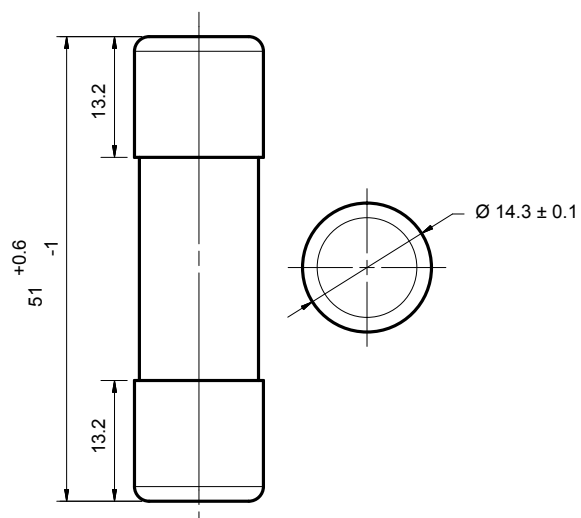
690VAC (IEC) / 700VAC (UL)

## PEAK ARC VOLTAGE



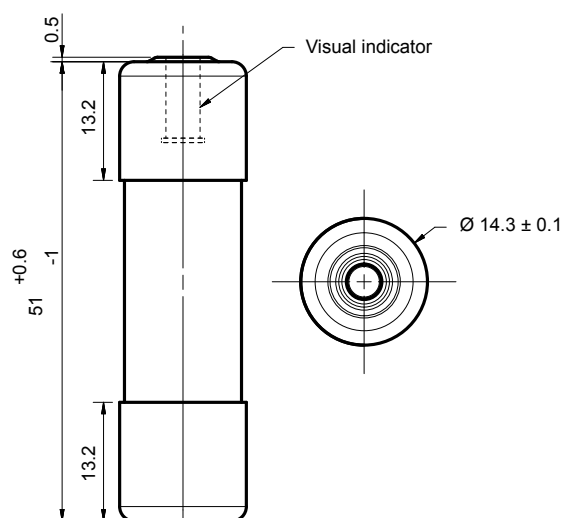
## DIMENSIONS

Size 14x51 aR without striker



Dimensions in mm

Size 14x51 aR with striker



Dimensions in mm

MERSEN reserves the right to change, update or correct, without notice, any information contained in this datasheet.