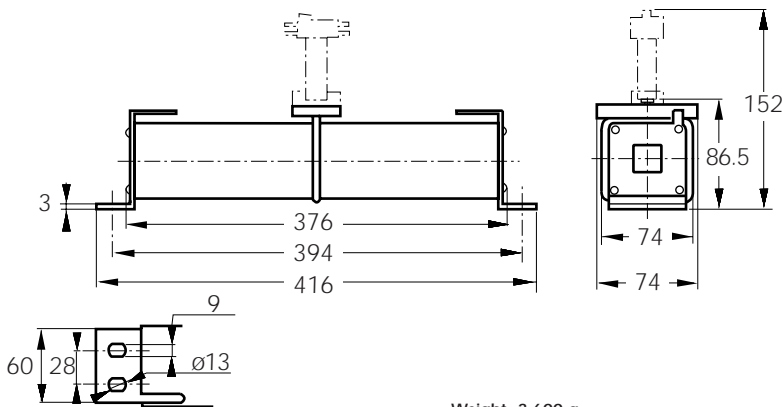


DC Square-body Fuses Sizes 600 - 602 - 2x602 gR Brackets size 602 - 4000 V DC

gRB-gRD from 100 to 280 A

Dimensions



Main Characteristics

| Size | Current rating I_N (A) | Breaking Capacity | Watts loss | | Designation | Ref. Number | Catalog Number |
|------|-----------------------------|-------------------|---------------|-----------|-----------------------|-------------|----------------|
| | | | $0.8 I_N$ (W) | I_N (W) | | | |
| 602 | 100 | @ 4000 V DC | 55.6 | 100.8 | CC 40 gRB 602 QF 0100 | V086958 | D602GB40C100QF |
| | 125 | 30 kA | 72.4 | 131.1 | CC 40 gRB 602 QF 0125 | W086959 | D602GB40C125QF |
| | 160 | L/R = 30 ms | 84.8 | 153.6 | CC 40 gRB 602 QF 0160 | X086960 | D602GB40C160QF |
| | 160 | @ 4000 V DC | 58 | 101 | CC 40 gRD 602 QF 0160 | E075766 | D602GD40C160QF |
| | 200 | 30 kA | 76.5 | 141 | CC 40 gRD 602 QF 0200 | F075767 | D602GD40C200QF |
| | 250 | L/R = 15 ms | 95 | 174 | CC 40 gRD 602 QF 0250 | G075768 | D602GD40C250QF |
| | 280 | | 108 | 198 | CC 40 gRD 602 QF 0280 | H075769 | D602GD40C280QF |

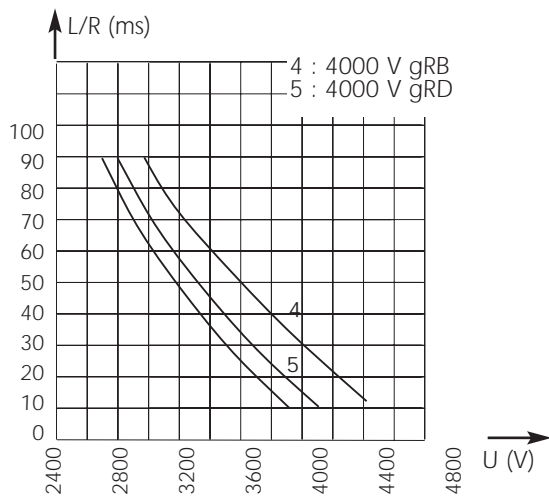
Pack: 1 piece

Microswitch MC 2R 3E 1-5NBS Ref. Number: J310025

DC Square-body Fuses Sizes 600 - 602 - 2x602 gR Brackets size 602 - 4000 V DC

gRB-gRD from 100 to 280 A

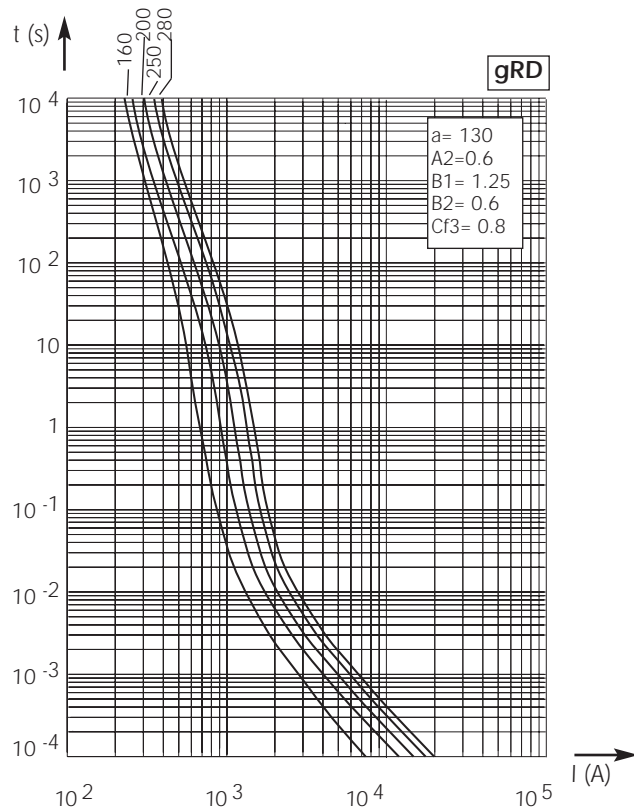
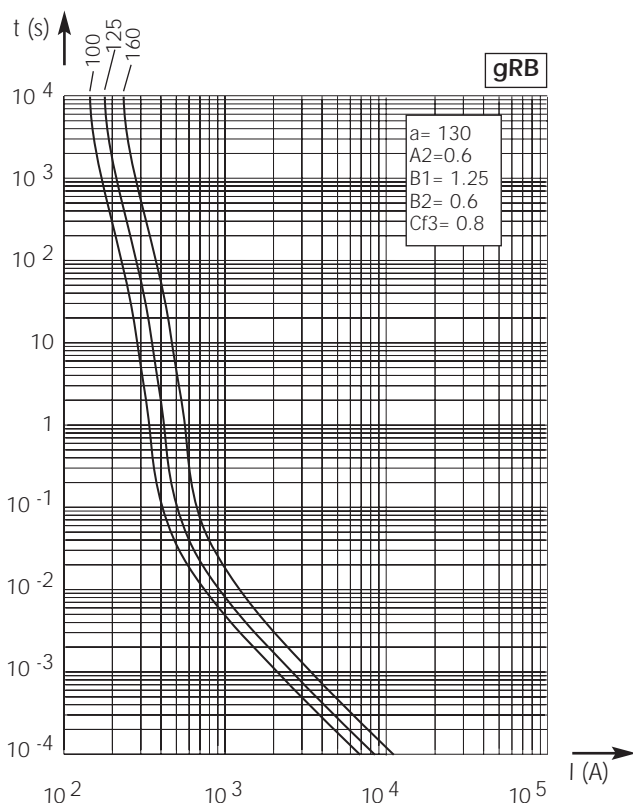
Electrical characteristics DC applications data



Above: Curves indicate maximum permissible value of time constant L/R as a function of DC working voltage

Max. AC voltage (50/60 Hz):
 3600 V with breaking capacity of 30 kA

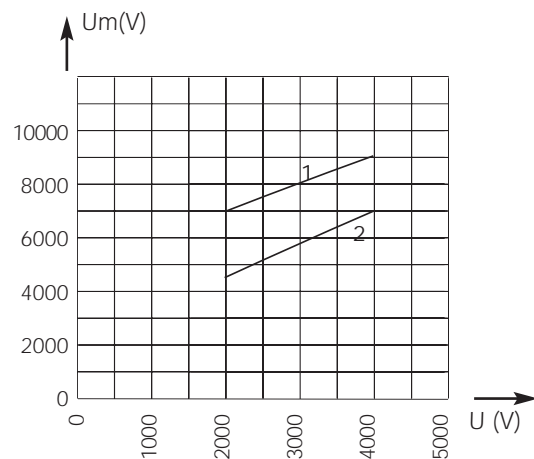
Time vs. current characteristics



Above, left and right: Curves indicate, for each rated current, pre-arcing time vs. R.M.S. pre-arcing current

± 10% tolerance for mean pre-arcing current

Peak arc voltage vs. working voltage



1 : L/R = 30 ms 4000 V gRB
 2 : L/R = 15 ms 4000 V gRD

Above: Curves indicate for various time constants L/R the peak arc voltage which may appear across fuse terminals, vs. DC working voltage