



Low switching losses
Low reverse recovery charge
High power cycling capability

Fast Recovery Diode Type DF273-1600-28

Average forward current		I_{FAV}	1600 A		
Repetitive peak reverse voltage		V_{RRM}	2000 ÷ 2800 V		
Reverse recovery time		t_{rr}	8.0 μs		
V_{RRM} , V	2000	2200	2400	2600	2800
Voltage code	20	22	24	26	28
T_j , °C	- 60 ÷ 125				

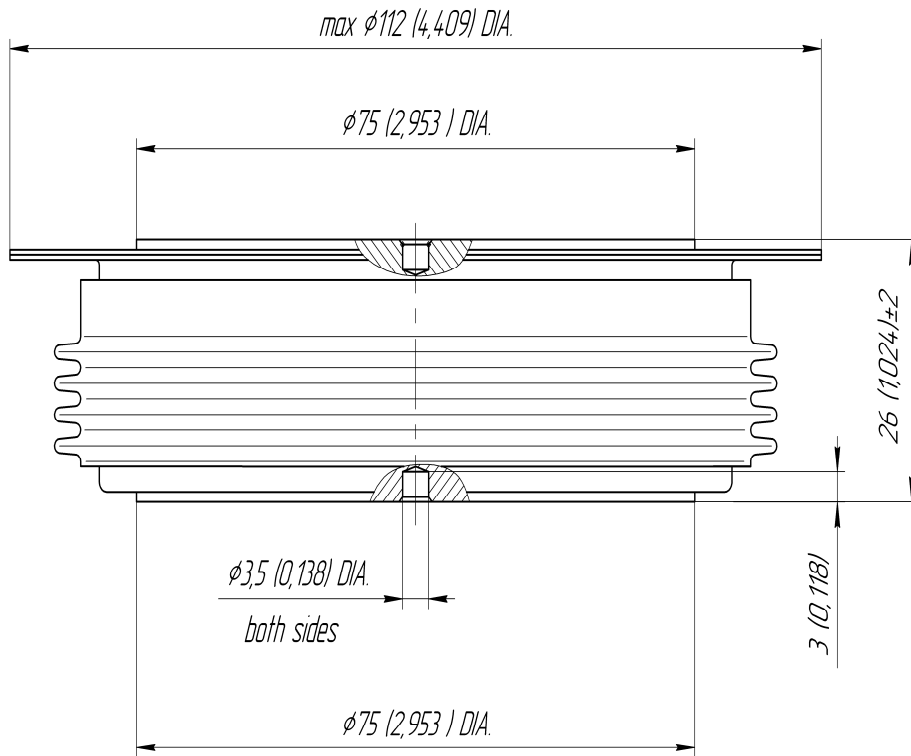
MAXIMUM ALLOWABLE RATINGS

Symbols and parameters		Units	Values	Test conditions	
ON-STATE					
I_{FAV}	Average forward current	A	1600 3150	$T_c=98$ °C; Double side cooled; $T_c=55$ °C; Double side cooled; 180° half-sine wave; 50 Hz	
I_{FRMS}	RMS forward current	A	2512	$T_c=98$ °C; Double side cooled; 180° half-sine wave; 50 Hz	
I_{FSM}	Surge forward current	kA	44.0 51.0	$T_j=T_{j\ max}$ $T_j=25$ °C	180° half-sine wave; 50 Hz ($t_p=10$ ms); single pulse; $V_R=0$ V;
			47.0 54.0	$T_j=T_{j\ max}$ $T_j=25$ °C	180° half-sine wave; 60 Hz ($t_p=8.3$ ms); single pulse; $V_R=0$ V;
I^2t	Safety factor	$A^2s \cdot 10^3$	9680 13005	$T_j=T_{j\ max}$ $T_j=25$ °C	180° half-sine wave; 50 Hz ($t_p=10$ ms); single pulse; $V_R=0$ V;
			9165 12100	$T_j=T_{j\ max}$ $T_j=25$ °C	180° half-sine wave; 60 Hz ($t_p=8.3$ ms); single pulse; $V_R=0$ V;
BLOCKING					
V_{RRM}	Repetitive peak reverse voltages	V	2000÷2800	$T_{j\ min} < T_j < T_{j\ max}$; 180° half-sine wave; 50 Hz;	
V_{RSM}	Non-repetitive peak reverse voltages	V	2100÷2900	$T_{j\ min} < T_j < T_{j\ max}$; 180° half-sine wave; 50 Hz; single pulse;	
V_R	Reverse continuous voltages	V	$0.75 \cdot V_{RRM}$	$T_j=T_{j\ max}$;	
THERMAL					
T_{stg}	Storage temperature	°C	- 60 ÷ 125		
T_j	Operating junction temperature	°C	- 60 ÷ 125		
MECHANICAL					
F	Mounting force	kN	40.0 ÷ 50.0		
a	Acceleration	m/s^2	50	Device unclamped	
			100	Device clamped	

CHARACTERISTICS

Symbols and parameters		Units	Values	Conditions	
ON-STATE					
V_{FM}	Peak forward voltage, max	V	2.10	$T_j=25\text{ }^\circ\text{C}; I_{FM}=5024\text{ A}$	
$V_{F(TO)}$	Forward threshold voltage, max	V	1.30	$T_j=T_{j\text{ max}};$	
r_T	Forward slope resistance, max	m Ω	0.170	$0.5\pi I_{FAV} < I_T < 1.5\pi I_{FAV}$	
BLOCKING					
I_{RRM}	Repetitive peak reverse current, max	mA	200	$T_j=T_{j\text{ max}};$ $V_R=V_{RRM}$	
SWITCHING					
Q_{rr}	Total recovered charge, max	μC	2000	$T_j=T_{j\text{ max}}; I_{FM}=I_{FAV};$	
t_{rr}	Reverse recovery time, max	μs	8.0	$di_R/dt=-100\text{ A}/\mu\text{s};$	
I_{rrM}	Peak reverse recovery current, max	A	500	$V_R=100\text{ V};$	
THERMAL					
R_{thjc}	Thermal resistance, junction to case, max	$^\circ\text{C}/\text{W}$	0.0085	Direct current	Double side cooled
R_{thjc-A}			0.0187		Anode side cooled
R_{thjc-K}			0.0153		Cathode side cooled
R_{thck}	Thermal resistance, case to heatsink, max	$^\circ\text{C}/\text{W}$	0.0020	Direct current	
MECHANICAL					
w	Weight, typ	g	1500		
D_s	Surface creepage distance	mm (inch)	41.40 (1.630)		
D_a	Air strike distance	mm (inch)	23.10 (0.909)		

PART NUMBERING GUIDE						GROUP OF RECOVERY TIME	
DF	273	1600	28	B4	N	Group Symbol	
1	2	3	4	5	6	$t_{rr}, \mu\text{s}$	B4
1. Fast recovery diode 2. Design version 3. Average forward current, A 4. Voltage code 5. Group of reverse recovery time 6. Ambient conditions: N – normal; T – tropical						8.0	



All dimensions in millimeters (inches)