

3-Phase BLDC Motor Driver IC

ECN30210 Product Specification

Rev. 2

1. Product Description

1.1 Features

- (1) Maximum Ratings: 600VDC/1.5A (condition: $T_j=25^{\circ}\text{C}$), suitable for the system from 200VAC to 240VAC
- (2) Drives a motor using high voltage PWM (Pulse Width Modulation) control and increases efficiency
- (3) Variable speed control by an analog speed command signal (VSP signal)
- (4) Six IGBTs, six FWDs (Free-Wheeling Diodes), drivers for IGBTs, protection circuits, etc. integrated into a single chip, resulting in space reduction
- (5) Drives a motor using a high voltage DC power supply and a low voltage DC power supply (15V)
- (6) Lineup of two packages, DIP26 and SOP26 ensuring insulation distance for high voltage pins

1.2 Functions

- (1) Hall elements applicable (Hall amplifiers are embedded)
- (2) Power on/off sequence-free (condition: output pin current is less than 1A)
- (3) Charge pump circuit (built-in high voltage diodes for charge pump)
- (4) FG (Frequency Generator) signal outputs for motor rotational speed monitor (three pulses and one pulse)
- (5) All IGBT shutoff function
- (6) Current limit function (detects at 0.5V)
- (7) Over-current protection function (detects at 1.0V)
- (8) VCC low-voltage detection function
- (9) Over temperature protection function
- (10) Motor lock protection function
- (11) PWM circuit (enable 20kHz PWM operation)
- (12) Three-phase distributor circuit
- (13) VCC standby function

1.3 Block Diagram

The ECN30210 is shown inside the bold line.

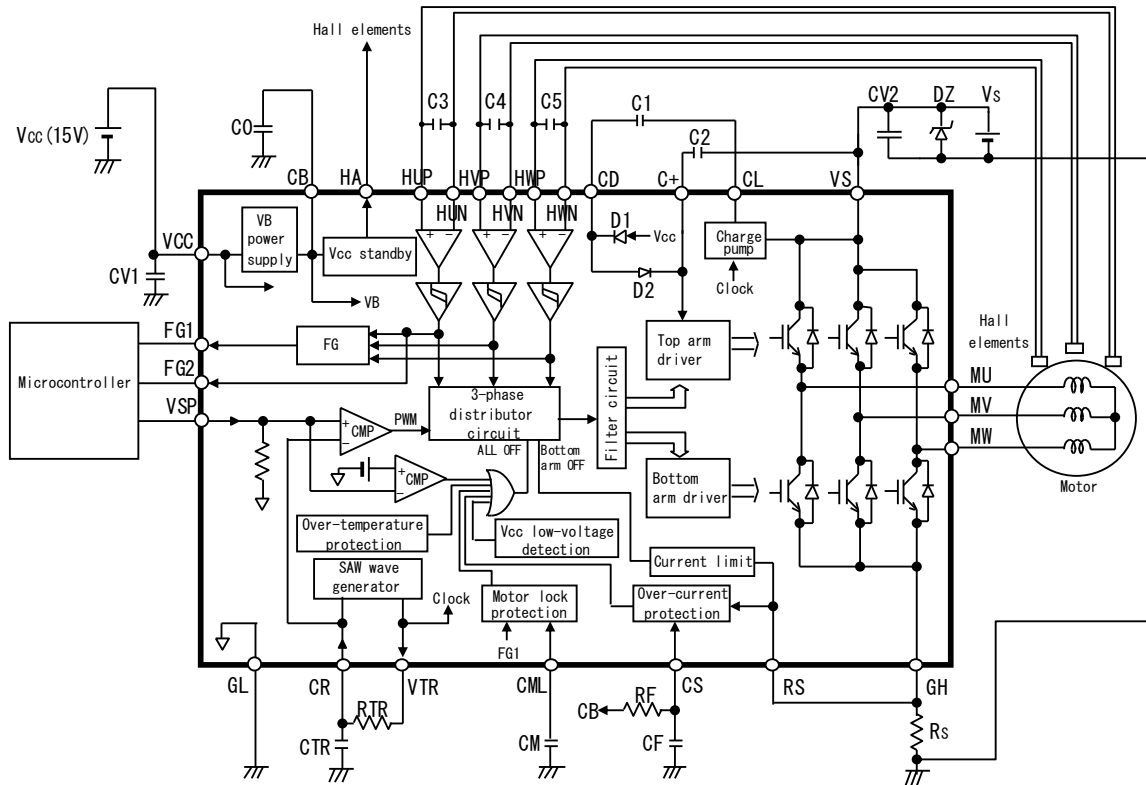
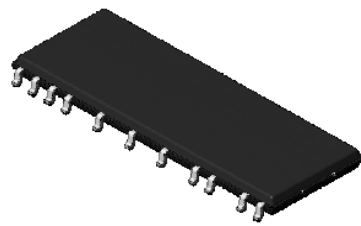
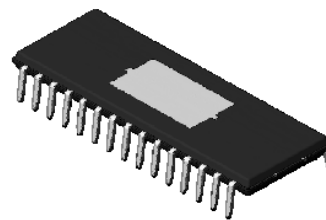


FIGURE 1.3.1 Block Diagram

1.4 Packages



ECN30210F
(Package: SOP26)



ECN30210P
(Package: DIP26)

FIGURE 1.4.1 Packages of ECN30210

2. Specification

2.1 Maximum ratings

TABLE 2.1.1 Maximum ratings

Condition: Ta=25°C

No.	Item	Symbol	Pin	Rating	Unit	Condition
1	Output device breakdown voltage	VSM	VS, CL, CD, MU, MV, MW	600	V	
2	VCC power supply voltage	VCC	VCC	18	V	
3	Voltage between C+ and VS	VCPM	C+, VS	18	V	
4	Input voltage	VIN	VSP, RS, HUP, HUN, HVP, HVN, HWP, HWN	-0.5 to VB+0.5	V	
5	Output current	Pulse	MU, MV, MW	1.5	A	Note 1
6		DC		0.7		
7	VB supply output current	IBMAX	CB, HA	50	mA	Note 3
8	Junction operating temperature	Tjop	—	-40 to +135	°C	Note 2
9	Storage temperature	Tstg	—	-40 to +150	°C	

Note 1: Output IGBTs can handle this peak current.

Note 2: Thermal resistance

Between junction and case (tab): Rjc = 3°C/W (Reference value)

Note 3: "IBMAX" represents the sum of output currents at the CB pin and the HA pin.

2.2 Electrical Characteristics

TABLE 2.2.1 Electrical Characteristics (1/2) Suffix (T: Top arm, B: Bottom arm) Condition: Ta=25°C

No.	Item		Symbol	Pin	Min.	Typ.	Max.	Unit	Condition	
1	Standby current		ISH	VS	—	0.1	0.4	mA	VSP=0V, VS=325V, VCC=15V	
2			ICC	VCC	—	4	10	mA	VSP=0V, VCC=15V, IB=0A Note 7	
3	IGBT collector-emitter		VONT	MU, MV,	—	2.0	3.0	V	I=0.35A, VCC=15V	
4	saturation voltage		VONB	MW	—	2.0	3.0	V		
5	Free-wheeling diode		VFDT		—	1.6	2.8	V	I=0.35A	
6	forward voltage		VFDB		—	1.6	2.8	V		
7	VTR output resistance		RVTR	VTR	—	200	400	Ω	IVTR=±1mA, VCC=15V	
8	SAW wave	High/Low level	VSAWH	CR	4.9	5.4	5.9	V	VCC=15V	
9			VSAWL		1.7	2.1	2.4	V		
10		Amplitude	VSAWW		2.8	3.3	3.8	V		VCC=15V Note 1
11	Current limit	Reference voltage	Vref1	RS	0.45	0.50	0.55	V	VCC=15V	
12		Delay time	Tref1		1.2	2.0	4.5	μs		
13	Over-current protection	Reference voltage	Vref2	RS,CS	0.8	1.0	1.2	V	VCC=15V	
14		Delay time	Tref2		—	1.7	2.7	μs		VCC=15V, CF=470pF RF=2MΩ
15		Recovery time	Trs		—	1.0	2.0	ms		
16	RS input current		IILRS	RS	-100	—	—	μA	VCC=15V, RS=0V Note 5	
17	Hall signal input	Minimum differential voltage	VHOS	HUP, HUN, HVP, HVN, HWP, HWN	60	—	—	mVp-p	VCC=15V Note 2	
18		Current	IH		—	—	2	μA		
19		Common mode voltage range	VHCM		3	—	6	V		
20		Hysteresis	VHHYS		20	40	60	mV		
21		Voltage L→H	VHLH		-5	20	45	mV		
22		Voltage H→L	VHHL		-45	-20	5	mV		
23	VSP input	Current	IVSPH	VSP	5	—	100	μA	VSP=5.0V, VCC=15V Pull-down resistor Note 3	
24		Offset voltage	SPCOMOF		-40	60	160	mV		VCC=15V Voltage from CR pin
25		All off operating voltage	Voff		0.85	1.23	1.60	V		VCC=15V
26	VB supply output	Voltage	VB	CB	6.8	7.5	8.2	V	VCC=15V, IB=0A Note 7	
27		Current	IB		—	—	45	mA		VCC=15V Note 7
28	HA output resistance		RHA	HA	—	20	40	Ω	VCC=15V, IHA=10mA	
29	FG1, FG2 output resistance		RFGP	FG1, FG2	—	0.9	3.0	kΩ	IFG=1mA, VCC=15V Note 4	
30			RFGN		—	0.4	1.5	kΩ		IFG=-1mA, VCC=15V Note 4
31	VCC low-voltage detection	Operating voltage	LVSDON	VCC, MU, MV, MW	11.0	12.0	12.9	V		
32		Recovery voltage	LVSDOFF		11.1	12.5	13.0	V		
33	Minimum pulse width (bottom arms)		TMINB	MU, MV, MW	0.8	—	—	μs	VCC=15V Note 6	

TABLE 2.2.1 Electrical Characteristics (2/2) Suffix (T: Top arm, B: Bottom arm) Condition: Ta=25°C

No.	Item		Symbol	Pin	Min.	Typ.	Max.	Unit	Condition
34	Charge pump diode forward voltage		VFDCP	VCC, CD, C+	—	0.8	1.4	V	I=1mA
35	Over temperature protection	Operating temperature	TSDON	MU, MV, MW	140	170	195	°C	VCC=15V
36		Recovery temperature	TSDOFF		115	145	170	°C	
37	Motor lock protection	Operating time	TMLON	CML	0.6	2.0	3.0	ms	VCC=15V, CM=1000pF
38		Recovery time	TMLOFF		5	12	20	ms	

Note 1: The amplitude of SAW wave (i.e., VSAWW) is determined by the following equation.

$$VSAWW = VSAWH - VSAWL (V)$$

Note 2: The equivalent circuit is shown in FIGURE 2.2.1.

Note 3: Internal pull-down resistor is typically 240kΩ. The equivalent circuit is shown in FIGURE 2.2.2.

Note 4: The equivalent circuit is shown in FIGURE 2.2.3.

Note 5: Internal pull-up resistor is typically 200kΩ. The equivalent circuit is shown in FIGURE 2.2.4.

Note 6: The minimum pulse width to pass the filter circuit.

Note 7: "IB" represents the sum of output currents at the CB pin and the HA pin.

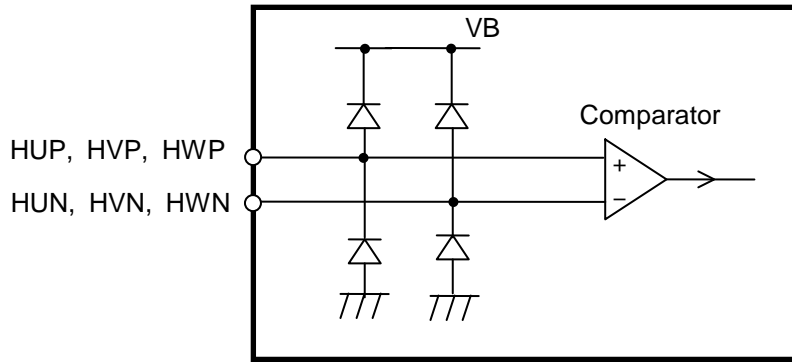


FIGURE 2.2.1 Equivalent Circuit around Hall Signal Pins

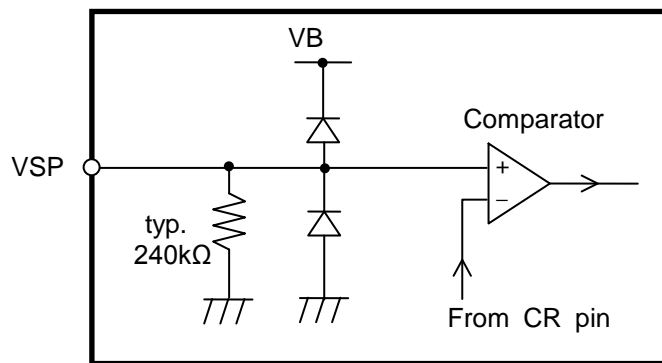


FIGURE 2.2.2 Equivalent Circuit around VSP Pin

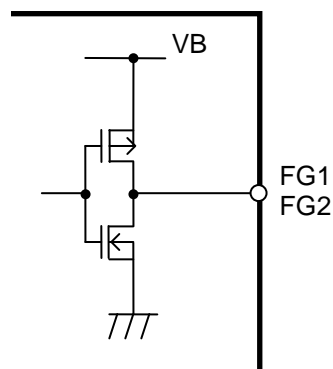


FIGURE 2.2.3 Equivalent Circuit around FG1, FG2 Pins

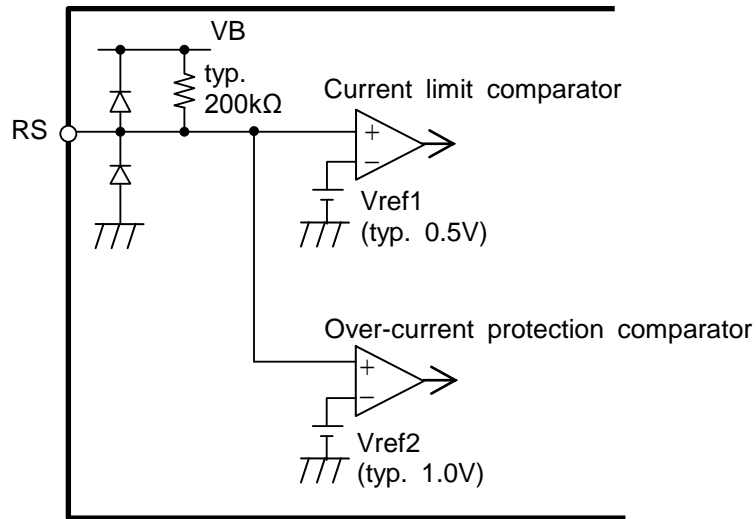


FIGURE 2.2.4 Equivalent Circuit around RS Pin

2.3 Operating Condition

TABLE 2.3.1 Operating Condition

No.	Item	Symbol	Pin	Min.	Typ.	Max.	Unit
1	Supply voltage	VSop	VS	15	325	450	V
2		VCCop	VCC	13.5	15.0	16.5	V

2.4 Functions and Operations

2.4.1 Truth Table

TABLE 2.4.1.1 Truth Table

Mode	Hall signal input			Phase-U		Phase-V		Phase-W		FG1 output	FG2 output
	HU	HV	HW	Top arm	Bottom arm	Top arm	Bottom arm	Top arm	Bottom arm		
(1)	H	L	H	OFF	ON	ON	OFF	OFF	OFF	H	H
(2)	H	L	L	OFF	ON	OFF	OFF	ON	OFF	L	H
(3)	H	H	L	OFF	OFF	OFF	ON	ON	OFF	H	H
(4)	L	H	L	ON	OFF	OFF	ON	OFF	OFF	L	L
(5)	L	H	H	ON	OFF	OFF	OFF	OFF	ON	H	L
(6)	L	L	H	OFF	OFF	ON	OFF	OFF	ON	L	L
—	L	L	L	OFF	OFF	OFF	OFF	OFF	OFF	L	L
—	H	H	H	OFF	OFF	OFF	OFF	OFF	OFF	H	H

Note: Inputs H: Input voltage between H*P and H*N > VHLH

Inputs L: Input voltage between H*P and H*N < VHHL

2.4.2 Timing Chart

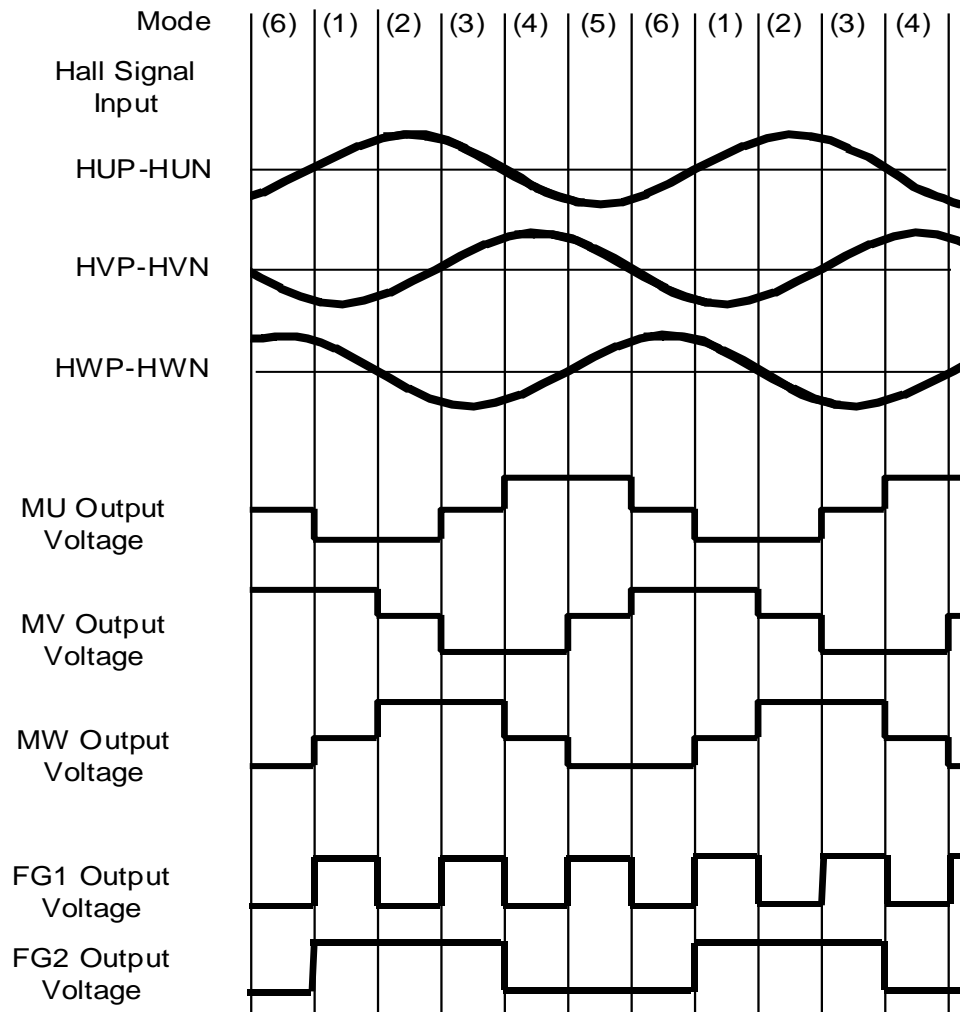


FIGURE 2.4.2.1 Timing Chart

2.4.3 PWM Operation

The PWM signal is generated by comparing the input voltage at the VSP pin with an internal SAW wave voltage (available at the CR pin). The relation between VSP input voltage and PWM duty is shown in FIGURE 2.4.3.1. The PWM duty represents the duty of IGBT gate drive signals. The voltages at output pins (MU,MV,MW) may be different from the figure depending on conditions. The PWM is operated by bottom arms.

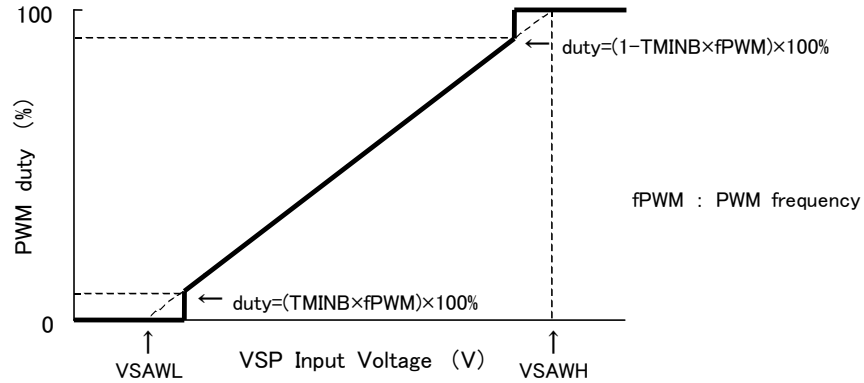


FIGURE 2.4.3.1 Relation between VSP Input Voltage and PWM Duty

2.4.4 Current Limit

This IC detects current using an external shunt resistor Rs. When the voltage at the shunt resistor Rs exceeds the current limit reference voltage (Vref1, typ. 0.5V), all bottom arm IGBTs are turned off. This off state is automatically reset once per internal CLOCK period (available at VTR pin).

2.4.5 Over-current Protection

When the voltage at the shunt resistor Rs exceeds the over-current protection reference voltage (Vref2, typ. 1.0V), all IGBTs (top and bottom arms) are turned off. When the over-current protection recovery time (Trs, typ. 1ms) passes, the IC returns to the state in which the IGBTs operate depending on input signals.

When this function is not used, connect the CS pin to the CB pin.

When the IGBTs of the top and bottom arms are all turned off by operation of this protection or other function during motor driving, the power supply voltage may rise as a result of a regenerative current flow. The power supply voltage must not exceed the maximum rating (600V).

2.4.6 VCC Low-Voltage Detection

When VCC voltage drops below the operating voltage of the VCC low-voltage detection (LVSDON), all IGBTs (top and bottom arms) are turned off. When VCC voltage goes up above the recovery voltage of the VCC low-voltage detection (LVSDOFF), the IC returns to the state in which the IGBTs operate depending on input signals.

2.4.7 All IGBT Shutoff Function

When the input voltage at the VSP pin drops below VSAWL (typ. 2.1V), the IC stops the motor drive.

When the input voltage at the VSP pin drops further from VSAWL and becomes below Voff (typ. 1.23V), the IGBTs (top and bottom arms) are all shut off to reduce current consumption within the IC. The state of the output IGBTs with regard to the VSP input voltage is shown in Table 2.4.7.1.

TABLE 2.4.7.1 IGBT Operation to VSP Input Voltage

VSP Input Voltage	Motor drive state	Top Arm IGBTs	Bottom Arm IGBTs
$0V \leq VSP < Voff$	Stop	All OFF	All OFF
$Voff \leq VSP < VSAWL$		Based on TABLE 2.4.1	All OFF
$VSAWL \leq VSP$	Drive	Based on TABLE 2.4.1	Based on TABLE 2.4.1

2.4.8 Motor Lock Protection

If a motor is locked, the FG1 signal is fixed at “H” or “L”. When the operating time (t1) passes in this state, the motor lock state is detected. Then all IGBTs (top and bottom arms) are turned off. After that, when the recovery time (t2) passes, the IC returns to the state in which the IGBTs operate depending on input signals.

The operating time and recovery time are adjustable by the capacitance of the external capacitor CM.

Operating time: $t1(s) = \{TMLON(ms)/1000\} \times \{CM(pF)/1000(pF)\}$

Recovery time: $t2(s) = \{TMLOFF(ms)/1000\} \times \{CM(pF)/1000(pF)\}$

If the motor takes long time to start up because of low VS voltage or high-load, and so on, the motor lock state may be detected during motor start-up. Set the capacitance of the external capacitor CM considering star-up time variation.

The motor lock state is not detected under any of the following conditions (1) to (3).

- (1) VSP input voltage \leq typ. 2.2V
- (2) VCC low-voltage detection operates.
- (3) Over temperature protection operates.

When the motor lock protection is not used, connect the CML pin to the GL pin.

2.4.9 Over Temperature Protection

When IC temperature exceeds the operating temperature of over temperature protection (TSDON), all IGBTs (top and bottom arms) are turned off. When IC temperature goes below the recovery temperature of over temperature protection (TSDOFF), the IC returns to the state in which the IGBTs operate depending on input signals.

2.4.10 VCC Standby Function

When the input voltage at the VSP pin is more than the all off operating voltage (Voff, typ.1.23V), the current is applied from the HA pin to the Hall elements.

When the input voltage at the VSP pin is less than the all off operating voltage, the current to the Hall elements is shut off to reduce standby power consumption from VCC power supply.

When the current to the Hall elements is shut off, the voltages at the Hall signal input pins (H*P, H*N) are fixed at “L”. At this time, the FG1 and the FG2 output “L”. If there is need to confirm the motor rotating state through the FG1 or the FG2 output signal while the VSP input voltage is below the all off operating voltage, do not use this function (the HA pin). Use the CB pin as the power supply for the Hall elements. When this function is not used, open the HA pin or connect it to the CB pin.

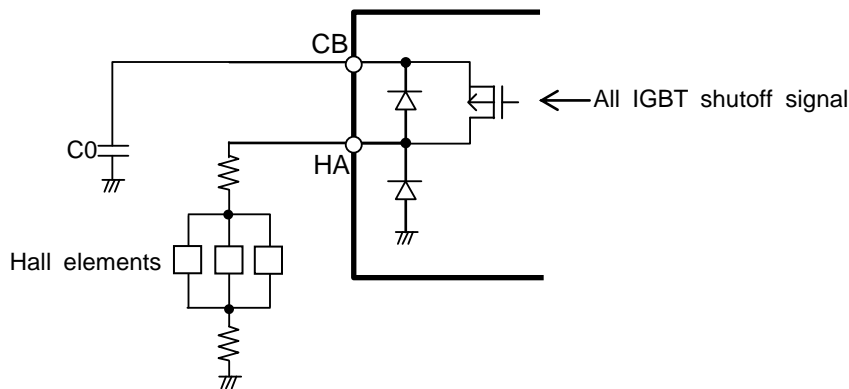


FIGURE 2.4.10.1 Usage Example of Hall Elements and Internal Equivalent Circuit

2.4.11 Power On/Off Sequence-Free

When the current at the output pins is below 1A, IGBT current saturation does not occur regardless of power on/off sequence of the VCC power supply, VS power supply and VSP input voltage.

However, be aware that when the VS is powered on after the VCC and VSP power on with the motor lock protection enabled, the motor may take long time to start up because the motor lock protection operates.

3. Standard Applications

3.1 External Components

TABLE 3.1.1 External Components

Component	Standard value	Usage	Remark
C0	1.0μF±10%, 25V	Smooths the internal power supply (VB)	
CV1	1.0μF±10%, 25V	Smooths the Vcc power supply	Note 1
CV2	33nF±10%, 630V	Smooths the Vs power supply	Note 2
DZ	5W	Absorbs Vs line surge voltage	
C1, C2	0.22μF±10%, 25V	For charge pump	
C3, C4, C5	1000pF±10%, 25V	Eliminates Hall signal noise	Note 3
Rs	1Ω±1%, 1W	Sets current limit	Note 4
CTR	2200pF±5%, 25V	Sets PWM frequency	Note 5
RTR	11kΩ±5%		
CM	1.0μF±10%, 25V	For motor lock protection	
CF	470pF±10%, 25V	For over-current protection	
RF	2MΩ±10%		

Note 1: As necessary, increase the capacitance and add a zener diode in consideration of noise immunity.

Note 2: As necessary, increase the capacitance in consideration of noise immunity.

Note 3: Optimize the capacitance corresponding to conditions.

Note 4: The current limit set value can be calculated as follows.

$$I = V_{ref1} / R_s \text{ (A)}$$

To determine the shunt resistor Rs, see Table 3.1.1 and Appendix.

Note 5: The PWM frequency is approximated by the following equation.

$$f_{PWM} \approx 0.494 / (CTR \times RTR) \text{ (Hz)}$$

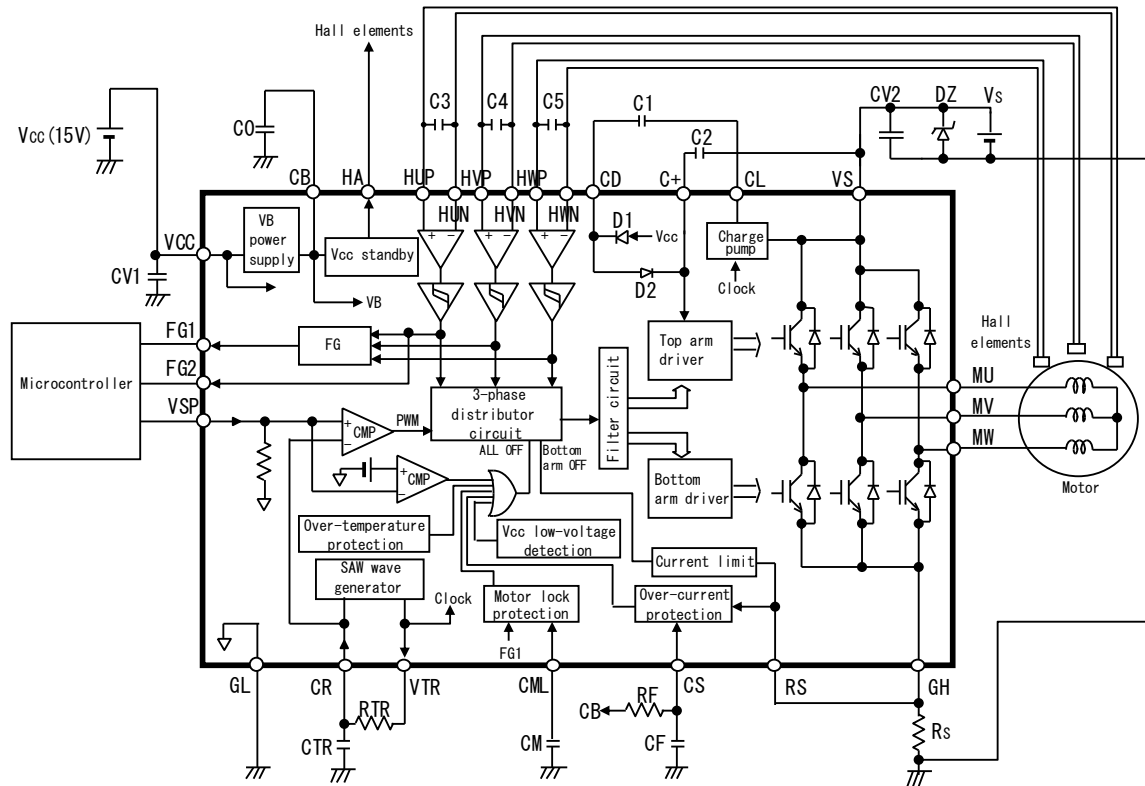


FIGURE 3.1.1 Block Diagram (ECN30210 is shown inside the bold line.)

4. Pin Locations

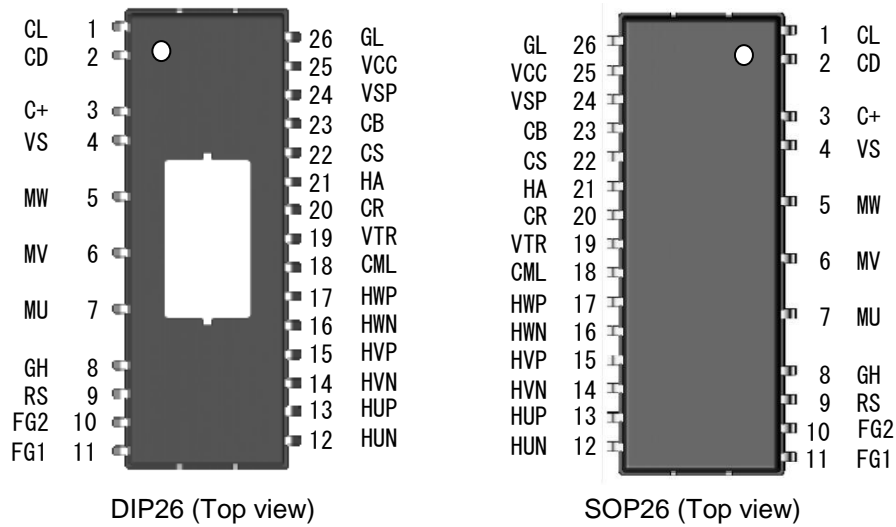


FIGURE 4.1 Pin Locations

5. Explanations of Pins

TABLE 5.1 Explanations of Pins

Pin No.	Symbol	Explanation	Remark
1	CL	For the charge pump circuit	Note 1
2	CD	For the charge pump circuit	Note 1
3	C+	For the charge pump circuit	Note 1
4	VS	High voltage power supply	Note 1
5	MW	W phase output	Note 1
6	MV	V phase output	Note 1
7	MU	U phase output	Note 1
8	GH	Emitters of bottom arm IGBTs and anodes of bottom arm FWDs (Connected to a shunt resistor)	
9	RS	Input for current limit and over-current protection	
10	FG2	Output for motor rotational speed monitor (one pulse / 360 electrical degrees)	
11	FG1	Output for motor rotational speed monitor (three pulses / 360 electrical degrees)	
12	HUN	U phase Hall signal minus input	
13	HUP	U phase Hall signal plus input	
14	HVN	V phase Hall signal minus input	
15	HVP	V phase Hall signal plus input	
16	HWN	W phase Hall signal minus input	
17	HWP	W phase Hall signal plus input	
18	CML	For motor lock protection	
19	VTR	Connect a resistor to set the PWM frequency	
20	CR	Connect a resistor and a capacitor to set the PWM frequency	
21	HA	Output for VCC standby function	
22	CS	For over-current protection	
23	CB	VB power supply output	
24	VSP	Analog speed command signal input	
25	VCC	15V power supply	
26	GL	Ground	

Note1: High voltage pin. Because the voltage between CD and CL and the voltage between C+ and VS are low voltage, the distances between the pins are the same as low voltage pins.

Note2: The voltage at exposed tap is the same as GL pin.

6. Inspection

Hundred percent inspection shall be conducted on electric characteristics at room temperature. For the operating temperature and recovery temperature of the over temperature protection, equivalent inspections are conducted at room temperature.

7. Precautions for use

7.1 Countermeasures against Electrostatic Discharge (ESD)

- (a) Customers need to take precautions to protect ICs from electrostatic discharge (ESD). The material of the container or any other device used to carry ICs should be free from ESD, which can be caused by vibration during transportation. Use of electrically conductive containers is recommended as an effective countermeasure.
- (b) Everything that touches ICs, such as the work platform, machine, measuring equipment, and test equipment, should be grounded.
- (c) Workers should be high-impedance grounded (100kΩ to 1MΩ) while working with ICs, to avoid damaging the ICs by ESD.
- (d) Friction with other materials, such as high polymers, should be avoided.
- (e) When carrying a PCB with a mounted IC, ensure that the electric potential is maintained at a constant level using the short-circuit terminals and that there is no vibration or friction.
- (f) The humidity at an assembly line where ICs are mounted on circuit boards should be kept around 45 to 75 percent using humidifiers or such. If the humidity cannot be controlled effectively, using ionized air blowers (ionizers) is effective.

7.2 Output Short-Circuit Protection

A short circuit (ex. load short) could damage this IC (the products of Hitachi Power Semiconductor Device, hereinafter called "HPSD's IC"). External protection is needed to prevent HPSD's IC breakdown.

7.3 Maximum ratings

Regardless of changes in external conditions during use of HPSD's IC, the "maximum ratings" described in this document should never be exceeded when designing electronic circuits that employ HPSD's IC. If maximum ratings are exceeded, HPSD's IC may be damaged or destroyed. In no event shall Hitachi Power Semiconductor Device (hereinafter called "HPSD") be liable for any failure in HPSD's IC or any secondary damage resulting from use at a value exceeding the maximum ratings.

7.4 Derating Design

Continuous high-load operation (high temperatures, high voltages, large currents) should be avoided and derating design should be applied, even within the ranges of the maximum ratings, to ensure reliability.

7.5 Safe Design

The HPSD's IC may fail due to accidents or unexpected surge voltages. Accordingly, adopt safe design features, such as redundancy and measures to prevent misuse, in order to avoid extensive damage in the event of a failure.

7.6 Application

If HPSD's IC is applied to the following uses where high reliability is required, obtain the document of permission from HPSD in advance.

- Automobile, Train, Vessel, etc.

Do not apply HPSD's IC to the following uses where extremely high reliability is required.

- Nuclear power control system, Aerospace instrument, Life-support-related medical equipment, etc.

7.7 Soldering

(1) DIP26 Soldering Condition

The peak temperature of flow soldering* must be less than 260°C, and the dip time must be less than 10 seconds. High stress by mounting, such as long time thermal stress by preheating, mechanical stress, etc, can lead to degradation or destruction. Make sure that your mounting method does not cause problem as a system.

* Flow soldering: Only pins enter a solder bath, while the resin or tab does not.

(2) SOP26 Soldering Condition

The recommended reflow soldering condition is shown in FIGURE 7.7.1.

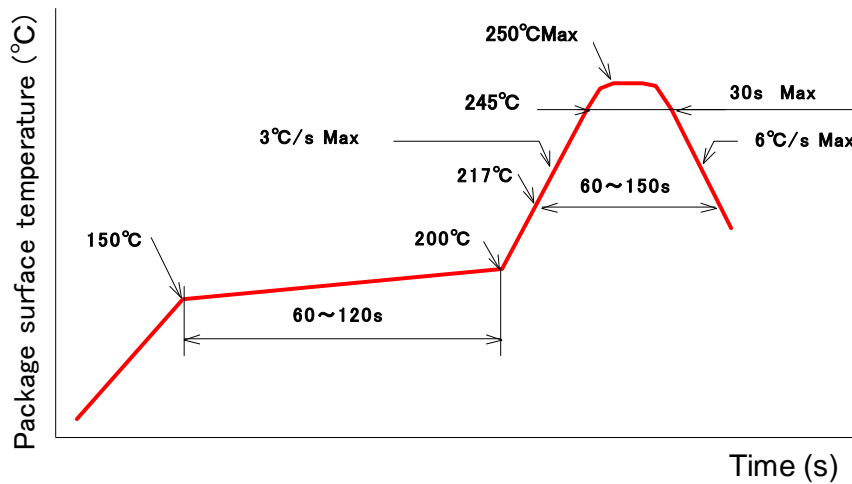


FIGURE 7.7.1 Recommended Conditions for Infrared Reflow or Air Reflow

(3) Reliability of Solder Connection

The reliability of solder connection depends on soldering condition, materials of circuit boards, footprint, etc. Test it sufficiently by heat cycle test, heat shock test, and so on after mounting ICs on circuit boards.

7.8 Others

See “Instructions for Use of Hitachi High-Voltage Monolithic ICs” for other precautions and instructions on how to deal with these kinds of products.

8. Usage

- (1) HPSD warrants that the HPSD products have the specified performance according to the respective specifications at the time of its sale. Testing and other quality control techniques of the HPSD products by HPSD are utilized to the extent HPSD needs to meet the specifications described in this document. Not every device of the HPSD products is specifically tested on all parameters, except those mandated by relevant laws and/or regulations.
- (2) Following any claim regarding the failure of a product to meet the performance described in this document made within one month of product delivery, all the products in relevant lot(s) shall be re-tested and re-delivered. The HPSD products delivered more than one month before such a claim shall not be counted for such response.
- (3) HPSD assumes no obligation nor makes any promise of compensation for any fault which should be found in a customer's goods incorporating the products in the market. If a product failure occurs for reasons obviously attributable to HPSD and a claim is made within six months of product delivery, HPSD shall offer free replacement or payment of compensation. The maximum compensation shall be the amount paid for the products, and HPSD shall not assume responsibility for any other compensation.
- (4) HPSD reserves the right to make changes in this document and to discontinue mass production of the relevant products without notice. Customers are advised to confirm specification of the product of inquiry before purchasing of the products that the customer desired. Customers are further advised to confirm before purchasing of such above products that the product of inquiry is the latest version and that the relevant product is in mass production status if the purchasing of the products by the customer is suspended for one year or more.
- (5) When you dispose of HPSD products and/or packing materials, comply with the laws and regulations of each country and/or local government. Conduct careful preliminary studies about environmental laws applying to your products such as RoHS, REACH. HPSD shall not assume responsibility for compensation due to contravention of laws and/or regulations.
- (6) HPSD shall not be held liable in any way for damages and infringement of patent rights, copyright or other intellectual property rights arising from or related to the use of the information, products, and circuits in this document.
- (7) No license is granted by this document of any patents, copyright or other intellectual property rights of any third party or of HPSD.
- (8) This document may not be reprinted, reproduced or duplicated, in any form, in whole or in part without the express written permission of HPSD.
- (9) You shall not use the HPSD products (technologies) described in this document and any other products (technologies) manufactured or developed by using them (hereinafter called "END Products") or supply the HPSD products (technologies) and END Products for the purpose of disturbing international peace and safety, including (i) the design, development, production, stockpiling or any use of weapons of mass destruction such as nuclear, chemical or biological weapons or missiles, (ii) the other military activities, or (iii) any use supporting these activities. You shall not sell, export, dispose of, license, rent, transfer, disclose or otherwise provide the HPSD products (technologies) and END Products to any third party whether directly or indirectly with knowledge or reason to know that the third party or any other party will engage in the activities described above.
When exporting, re-export transshipping or otherwise transferring the HPSD products (technologies) and END Products, all necessary procedures are to be taken in accordance with Foreign Exchange and Foreign Trade Act (Foreign Exchange Act) of Japan, Export Administration Regulations (EAR) of US, and any other applicable export control laws and regulations promulgated and administered by the governments of the countries asserting jurisdictions over the parties or transaction.

◆ Appendix - Supplementary Data

See derating information below when designing with the ECN30210.

1. Safe Operation Area (SOA)

The current and voltage at output pins must not be outside the SOA shown in FIGURE A.

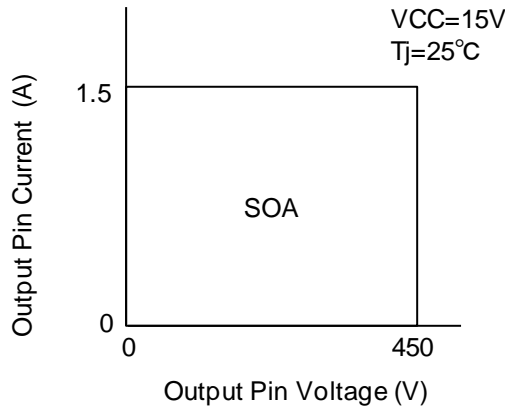


FIGURE A: SOA

2. Power On/Off Sequence and Current Derating for VCC

The current derating for VCC is shown in FIGURE B. Use the output pin current below the derating curve. When the output pin current is less than 1A, power on/off sequence is free.

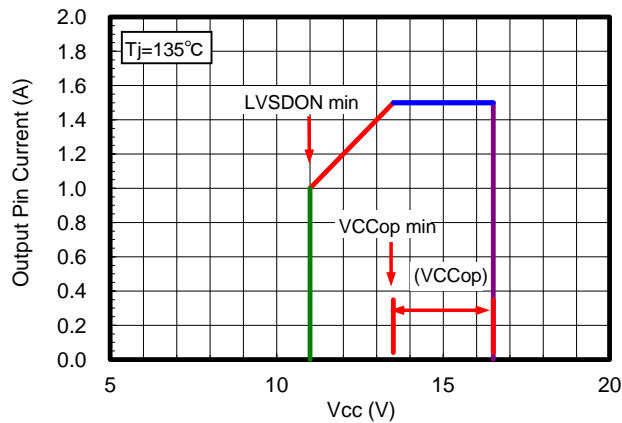


FIGURE B: Current Derating for VCC

3. Current Derating for Junction Operating Temperature

The current derating for junction operating temperature is shown in FIGURE C. Use the output pin current below the derating curve.

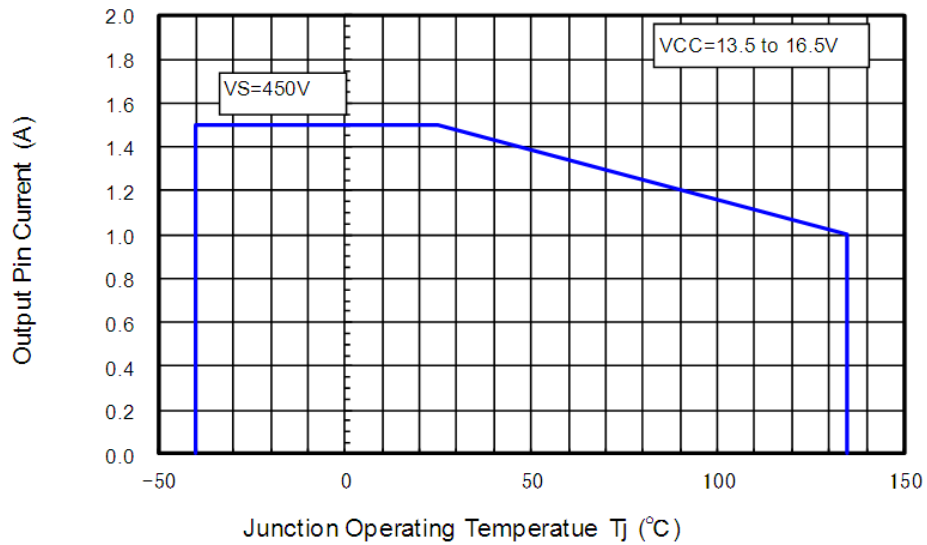


FIGURE C: Current Derating for Junction Operating Temperature

4. Shunt Resistor Setting

When setting the current limit, consider the variability of the reference voltage (V_{ref1}), the variability of shunt resistor (R_s) and the delay time.

The current must be below the derating curves of FIGURE B and FIGURE C.

5. General Design Derating Standards

- (a) Temperature - Junction operating temperature must be kept under 110°C.
- (b) Supply voltage - V_S power supply voltage must be kept under 450V.

Junction operating temperature depends on various parameters such as power supply voltages, ambient temperature, load, heat dissipation routes. Test it sufficiently by using actual systems.

6. Dimensions

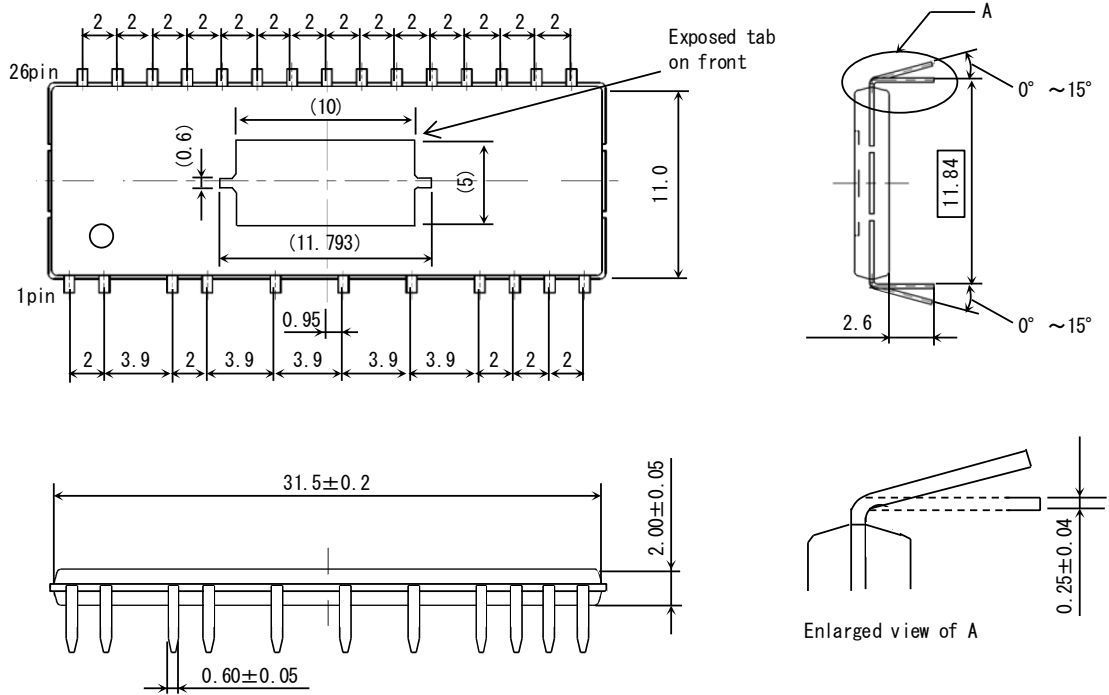


FIGURE D: Dimensions of DIP26

Unit: mm

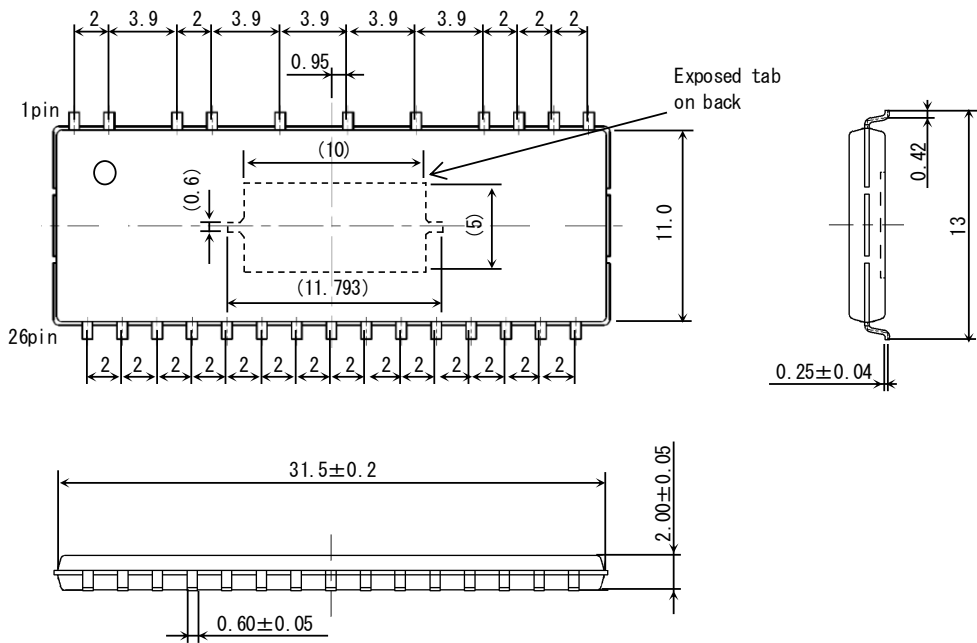


FIGURE E: Dimensions of SOP26

Unit: mm

Note: Unless otherwise specified, the tolerance is ±0.1 in figure D and figure E.

7. External Packaging

FIGURE F shows the external packaging. In the case of reel, order quantities are basically multiples of 700.

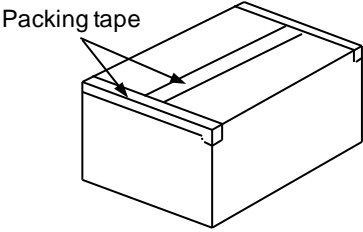
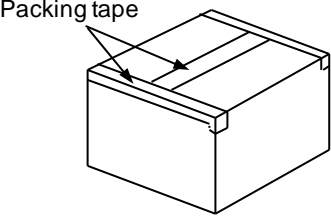
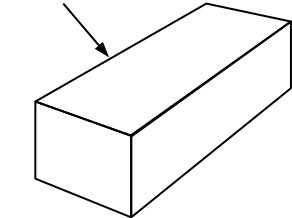
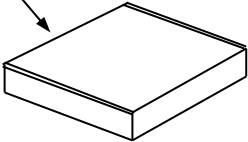
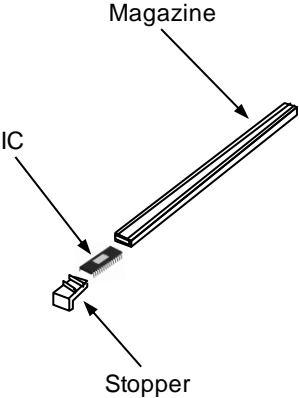
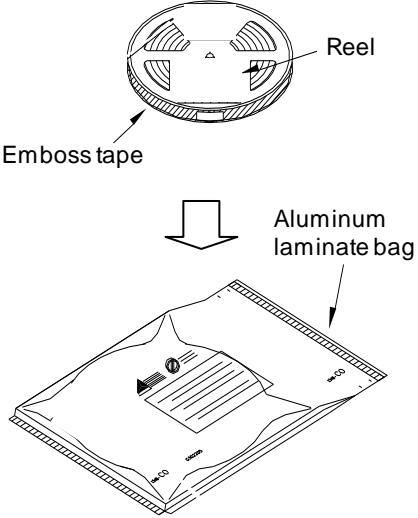
	Magazine (ECN30210P)	Reel (ECN30210F)
Outer box		
Inner box		
Magazine & Reel	 <p>The number of ICs:15/magazine</p>	 <p>The number of ICs:700/reel</p>

FIGURE F: External packaging

8. Storage conditions

The following conditions are applied to ECN30210F (SOP26).

- (1) Before opening the moisture prevention bag (aluminum laminate bag)

Temperature: 5 to 35°C

Humidity: less than 85%RH

Period: less than 2 years

- (2) After opening the moisture prevention bag (aluminum laminate bag)

Temperature: 5 to 30°C

Humidity: less than 70%RH

Period: less than 1 week (from opening the bag to reflow soldering)

- (3) Temporal storage after opening the moisture prevention bag

When ICs are stored temporarily after opening the bag they should be returned into the bags with desiccant within 10 minutes. Then, opening side of bags should be fold into two, and close with adhesive tape. And they should be kept in the following conditions.

Temperature: 5 to 35°C

Humidity: less than 85%RH

Period: less than 1 month

- ※ When the period of (1) to (3) is expected to expire, it is recommended to store the ECN30210F (SOP26) in a drying furnace (30%RH or lower) at ordinary temperature.

- (4) Baking process

When the period of (1) to (3) has expired, the ECN30210F (SOP26) should be baked in accordance with the following conditions. (However, when the ECN30210F (SOP26) is stored in a drying furnace (30%RH or lower) at ordinary temperature, there is no need to bake.)

Do not bake the tape and the reel of the taping package because they are not heat resistant.

Transfer the ECN30210F (SOP26) to a heat resistant container prior to baking.

Temperature: 125±5°C

Period: 16 to 24 hours

Precautions for Safe Use and Notices

If semiconductor devices are handled in an inappropriate manner, failures may result. For this reason, be sure to read the latest version of "Instructions for Use of Hitachi High-Voltage Monolithic ICs" before use.



This mark indicates an item requiring caution.



CAUTION

This mark indicates a potentially hazardous situation which, if not avoided, may result in minor or moderate injury and damage to property.



CAUTION

- (1) Regardless of changes in external conditions during use of semiconductor devices, the "maximum ratings" and "safe operating area(SOA)" should never be exceeded when designing electronic circuits that employ semiconductor devices.
- (2) Semiconductor devices may fail due to accidents or unexpected surge voltages. Accordingly, adopt safe design features, such as redundancy and measures to prevent misuse, in order to avoid extensive damage in the event of a failure.
- (3) If semiconductor devices are applied to uses where high reliability is required, obtain the document of permission from HPSD in advance (Automobile, Train, Vessel, etc.). Do not apply semiconductor devices to uses where extremely high reliability is required (Nuclear power control system, Aerospace instrument, Life-support-related medical equipment, etc.).
(If a semiconductor device fails, there may be cases in which the semiconductor device, wiring or wiring pattern will emit smoke or cause a fire or in which the semiconductor device will burst.)

NOTICES

1. This Data Sheet contains the specifications, characteristics, etc. concerning power semiconductor products (hereinafter called "products").
2. All information included in this document such as product data, diagrams, charts, algorithms, and application circuit examples, is current as of the date this document is issued. Such information, specifications of products, etc. are subject to change without prior notice. Before purchasing or using any of the HPSD products listed in this document, please confirm the latest product information with a HPSD sales office.
3. HPSD shall not be held liable in any way for damages and infringement of patent rights, copyright or other intellectual property rights arising from or related to the use of the information, products, and circuits in this document.
4. No license is granted by this document of any patents, copyright or other intellectual property rights of any third party or of HPSD.
5. This document may not be reprinted, reproduced or duplicated, in any form, in whole or in part without the express written permission of HPSD.
6. You shall not use the HPSD products (technologies) described in this document and any other products (technologies) manufactured or developed by using them (hereinafter called "END Products") or supply the HPSD products (technologies) and END Products for the purpose of disturbing international peace and safety, including (i) the design, development, production, stockpiling or any use of weapons of mass destruction such as nuclear, chemical or biological weapons or missiles, (ii) the other military activities, or (iii) any use supporting these activities. You shall not sell, export, dispose of, license, rent, transfer, disclose or otherwise provide the HPSD products (technologies) and END Products to any third party whether directly or indirectly with knowledge or reason to know that the third party or any other party will engage in the activities described above.
When exporting, re-export transshipping or otherwise transferring the HPSD products (technologies) and END Products, all necessary procedures are to be taken in accordance with Foreign Exchange and Foreign Trade Act (Foreign Exchange Act) of Japan, Export Administration Regulations (EAR) of US, and any other applicable export control laws and regulations promulgated and administered by the governments of the countries asserting jurisdictions over the parties or transaction.
7. In no event shall HPSD be liable for any failure in HPSD products or any secondary damage resulting from use at a value exceeding the maximum ratings.

Refer to the following website for the latest information. Contact a HPSD sales office if you have any questions.

<http://www.hitachi-power-semiconductor-device.co.jp/en/>