

ECN3292TF

ECN3292 is an eight-channel High Voltage analog switching IC on which latch-up free is realized by dielectric isolation technology.

High voltage and low ON-resistance MOS switches are used as output devices controlled by a 5V signal. The ECN3292 is most suited to Ultrasound Imaging applications.

Functions

- High voltage and low on-resistance MOS switches integrated.
- 8bit shift register integrated.

Features

- Switch on-resistance: 19 Ω typ. (VPP=100V,VNN=-100V, ISIG=5mA, 25°C)
- Switch breakdown voltage: 220V
- Latch-up free CMOS and High-Voltage drive circuit.
- Power up/down sequence of power supply is free.
- ROHS Compliant

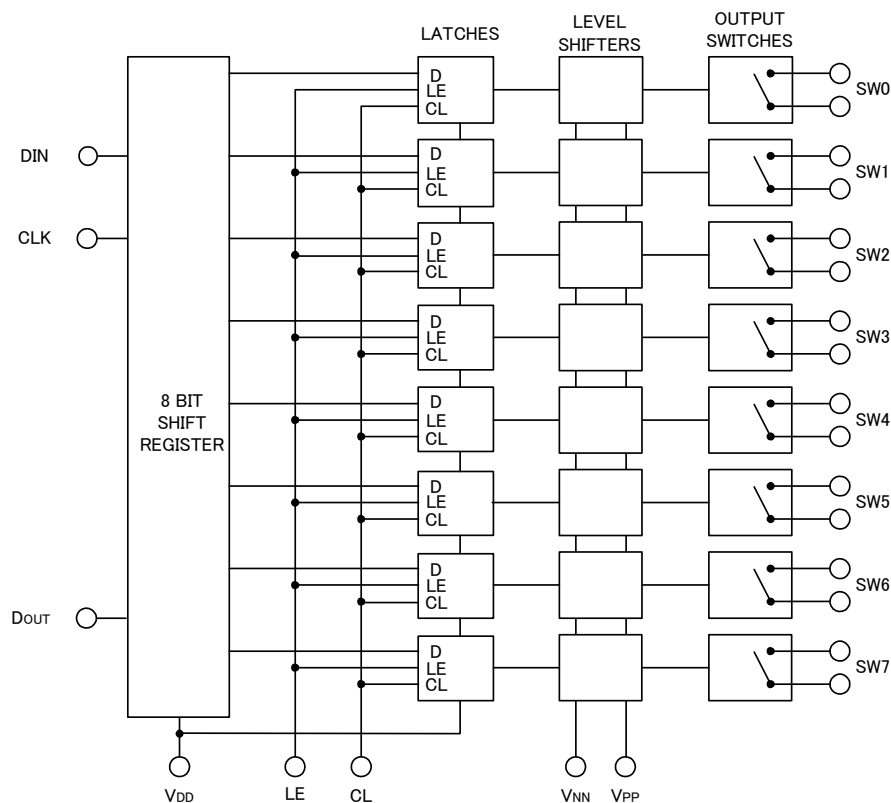


Fig.1 Block diagram

ECN3292TF

1. General

This Specification shall be applied to the following semiconductor integrated circuit.

- 1) Parts name : ECN3292TF
- 2) Application : Ultrasound imaging scanner and others
- 3) Structure : Monolithic IC
- 4) Package : TQFP48 (ECN3292TF)

2. Absolute Maximum Ratings

Table 1 Absolute Maximum Ratings

No.	Items	Symbol	Terminal	Values	Unit	Note
1	Logic power supply voltage	VDD	VDD	-0.5 ~ +7V	V	Ta=25°C
2	VPP-VNN supply voltage	-	VPP, VNN	220V	V	Ta=25°C
3	VPP Positive high voltage supply	VPP	VPP	-0.5 to VNN+200V	V	Ta=25°C
4	VNN negative high voltage supply	VNN	VNN	+0.5 to -200V	V	Ta=25°C
5	Logic input voltages	VDD	DIN, CLK, CL, LE	-0.5 to VDD+0.3	V	Ta=25°C
6	Analog signal range	-	SW0 to SW7	VNN to VPP	V	Ta=25°C
7	Operating junction temperature	Tjop	-	-20 to +125	°C	
8	Storage temperature	Tstg	-	-65 to +150	°C	
9	Power dissipation	Pw	-	1.0	W	TQFP48, Ta=70°C

ECN3292TF

3. Electrical Characteristics

3.1 DC Characteristics

Table 2 DC Characteristics

Ta=25°C, VDD=5V

No.	Items	Symbol	Spec			Unit	Test conditions	
			Min	Typ	Max			
1	Small signal switch on resistance	RONS	-	24	38	Ω	I SIG=5mA	VPP=40V, VNN=-160V
			-	17	27		I SIG=200mA	
			-	19	27		I SIG=5mA	VPP=100V, VNN=-100V
			-	15	24		I SIG=200mA	
			-	19	25		I SIG=5mA	VPP=160V, VNN=-40V
			-	15	25		I SIG=200mA	
2	Small signal switch on resistance matching	Δ RONS	-	5	20	%	VPP=100V, VNN=-100V ISW=5mA	
3	Large signal switch on resistance	RONL	-	16	—	Ω	VPP=100V VNN=-100V	I SIG=1A
4	Switch off leakage per switch	ISOL	-	1.0	10	μA	VSIG=VPP-10V, or VNN+10V	
5	DC offset switch (off)	DCOFF	-	10	100	mV	RL=100kΩ	
6	DC offset switch (on)	DCON	-	10	100	mV	RL=100kΩ	
7	Positive HV supply current	IPPQ1	-	10	50	μA	All SWs off	
8	Negative HV supply current	INNQ1	-	-10	-50	μA	All SWs off	
9	Positive HV supply current	IPPQ2	-	10	50	μA	All SWs on, ISW=5mA	
10	Negative HV supply current	INNQ2	-	-10	-50	μA	All SWs on, ISW=5mA	
11	IPP Supply current	IPP	-	-	7.0	mA	VPP=40V VNN=-160V	50kHz output switching frequency without load
			-	-	5.0		VPP=100V VNN=-100V	
			-	-	5.0		VPP=160V VNN=-40V	
12	INN Supply current	INN	-	-	7.0	mA	VPP=40V VNN=-160V	50kHz output switching frequency without load
			-	-	5.0		VPP=100V VNN=-100V	
			-	-	5.0		VPP=160V VNN=-40V	
13	Logic supply average current	IDD	-	-	4.0	mA	fCLK=5MHz, VDD=5.0V	
14	Logic supply quiescent current	IDDQ	-	-	10	μA		
15	Data out source current	ISOR	0.45	0.70	-	mA	VOUT=VDD-0.7V	
16	Data out sink current	ISINK	0.45	0.70	-	mA	VOUT=0.7V	

ECN3292TF

3.2 AC Characteristics

Table 3 AC Characteristics

Ta=25°C, VDD=5V

No.	Items	Symbol	Spec			Unit	Test conditions
			Min	Typ	Max		
1	SW Turn on time	tON	-	-	5.0	μs	VSIG=VPP-10V, RL=10kΩ
2	SW Turn off time	tOFF	-	-	5.0	μs	VSIG=VPP-10V, RL=10kΩ
3	Clock frequency	fCLK	-	-	10	MHz	50% duty cycle, fData=fCLK/2
4	Clock delay time to data out	tDO	30	-	85	ns	DOUT terminal
5	Output voltage spike	+VSPK	-	-	150	mV	VPP=+40V, VNN=-160V, RL=50Ω
		-VSPK	-	-	-200		
		+VSPK	-	-	150		VPP=+100V, VNN=-100V, RL=50Ω
		-VSPK	-	-	-200		
		+VSPK	-	-	150		VPP=+160V, VNN=-40V, RL=50Ω
		-VSPK	-	-	-200		

Table 4 AC Characteristics (for reference purpose only)

Ta=25°C, VDD=5V

No.	Items	Symbol	Spec			Unit	Condition
			Min	Typ	Max		
1	Off capacitance SW to GND	CSG (off)	-	9	-	pF	0V, 1MHz
2	On Capacitance SW to GND	CSG (on)	-	14	-	pF	0V, 1MHz
3	SW off isolation	KO	-30	-33	-	dB	f=5MHz, 1kΩ/15pF load
			-54	-60	-		
4	SW Crosstalk	KCR	-54	-60	-	dB	f=5MHz, 50Ω load

Note: These items are not tested when shipped.

4. Recommended Operating Conditions

Please operate in use within the limit of recommended operating conditions detailed in Table 5.

Table 5 Recommended Operating Conditions

No	Items	Symbol	Recommended Value
1	Logic power supply voltage	VDD	4.5V to 5.5V
2	Positive high voltage supply	VPP	+40V to VNN+200V
3	Negative high voltage supply	VNN	-40V to -160V
4	High-level input voltage	VIH	VDD - 1.5V to VDD
5	Low-level input voltage	VIL	0V to 1.5V
6	Analog signal voltage peak to peak	VSIG	VNN+10V to VPP-10V
7	Operating free air-temperature	Ta	0°C to 70°C
8	Switching frequency	fsw	50kHz max, Duty Cycle=50%
9	Set up time for LE	tSD	Min.75ns
10	Pulse width of LE	tWLE	Min.75ns
11	Time width of CL	tWCL	Min.60ns
12	Set up time DATA to Clock	tSU	Min.10ns
13	Hold time DATA from Clock	th	Min.20ns
14	Maximum VSIG Slew Rate	dV/dt	Max.30V/ns

Attention ;

- 1) Power up/down sequence of power supply is arbitrary except GND terminal of IC must be powered-up first and powered-down last.
- 2) It is indispensable to make there are not to exceed a maximum rated voltage by the occurrence of the excessive voltage in case of investing and cutting of the power supply.

ECN3292TF

5. Test Circuit

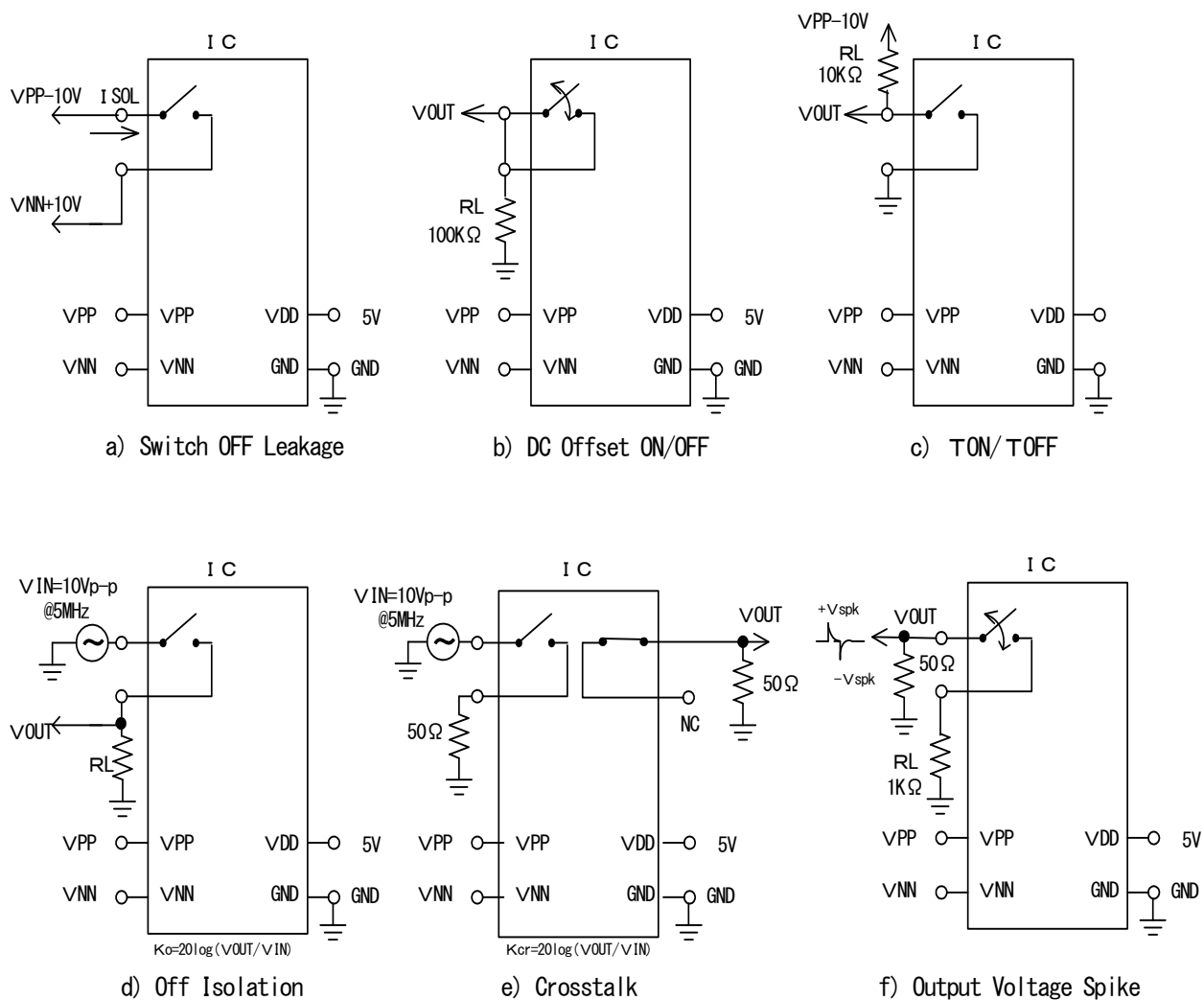


Fig. 2 Test Circuit

ECN3292TF

6. Timing Waveforms

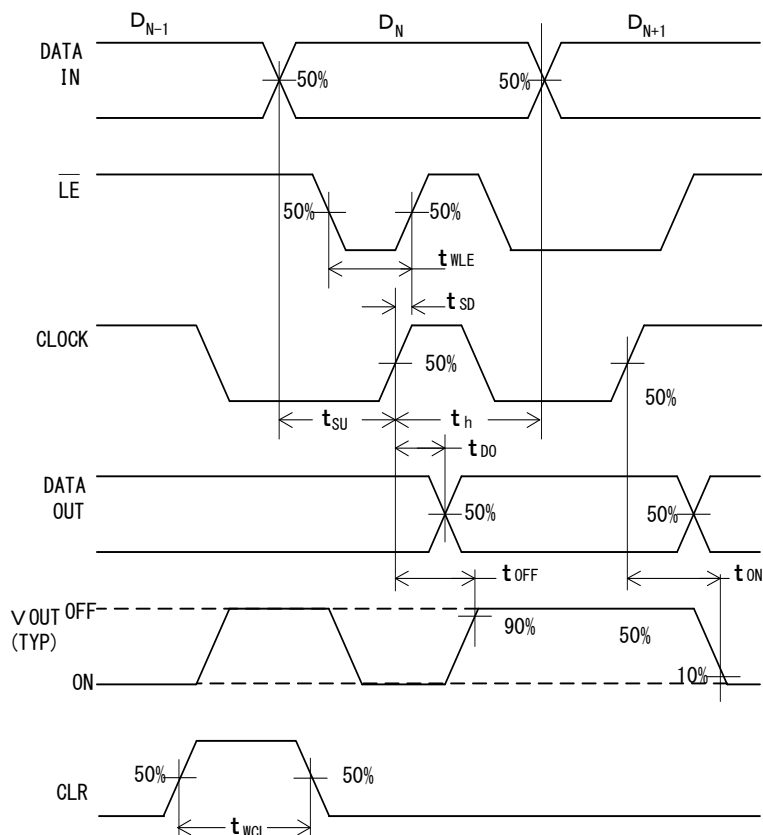


Fig. 3 Timing Waveforms

7. Truth Table

Table 6 Truth table

D0	D1	D2	D3	D4	D5	D6	D7	LE	CL	SW0	SW1	SW2	SW3	SW4	SW5	SW6	SW7
L								L	L	OFF							
H								L	L	ON							
	L							L	L		OFF						
	H							L	L		ON						
		L						L	L			OFF					
		H						L	L			ON					
			L					L	L				OFF				
			H					L	L				ON				
				L				L	L					OFF			
				H				L	L					ON			
					L			L	L						OFF		
					H			L	L						ON		
						L		L	L							OFF	
						H		L	L							ON	
							L	L	L								OFF
							H	L	L								ON
X	X	X	X	X	X	X	X	H	L	Hold previous state							
X	X	X	X	X	X	X	X	X	H	OFF	OFF	OFF	OFF	OFF	OFF	OFF	OFF

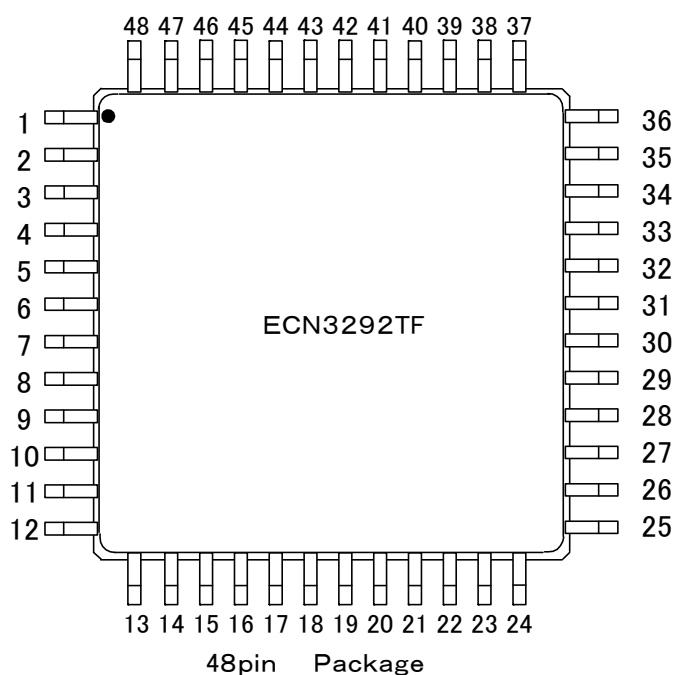
ECN3292TF

8. Pin Configuration

8.1 ECN3292TF TQFP48 (48Pin TQFP)

Table7. Pin Configuration

Pin	Functions	Pin	Functions
1	SW5	25	VNN
2	N/C	26	N/C
3	SW4	27	N/C
4	N/C	28	GND
5	SW4	29	VDD
6	N/C	30	N/C
7	N/C	31	N/C
8	SW3	32	N/C
9	N/C	33	DIN
10	SW3	34	CLK
11	N/C	35	\overline{LE}
12	SW2	36	CLR
13	N/C	37	DOOUT
14	SW2	38	N/C
15	N/C	39	SW7
16	SW1	40	N/C
17	N/C	41	SW7
18	SW1	42	N/C
19	N/C	43	SW6
20	SW0	44	N/C
21	N/C	45	SW6
22	SW0	46	N/C
23	N/C	47	SW5
24	VPP	48	N/C



ECN3292TF

9. Package Outline

9.1 ECN3292TF

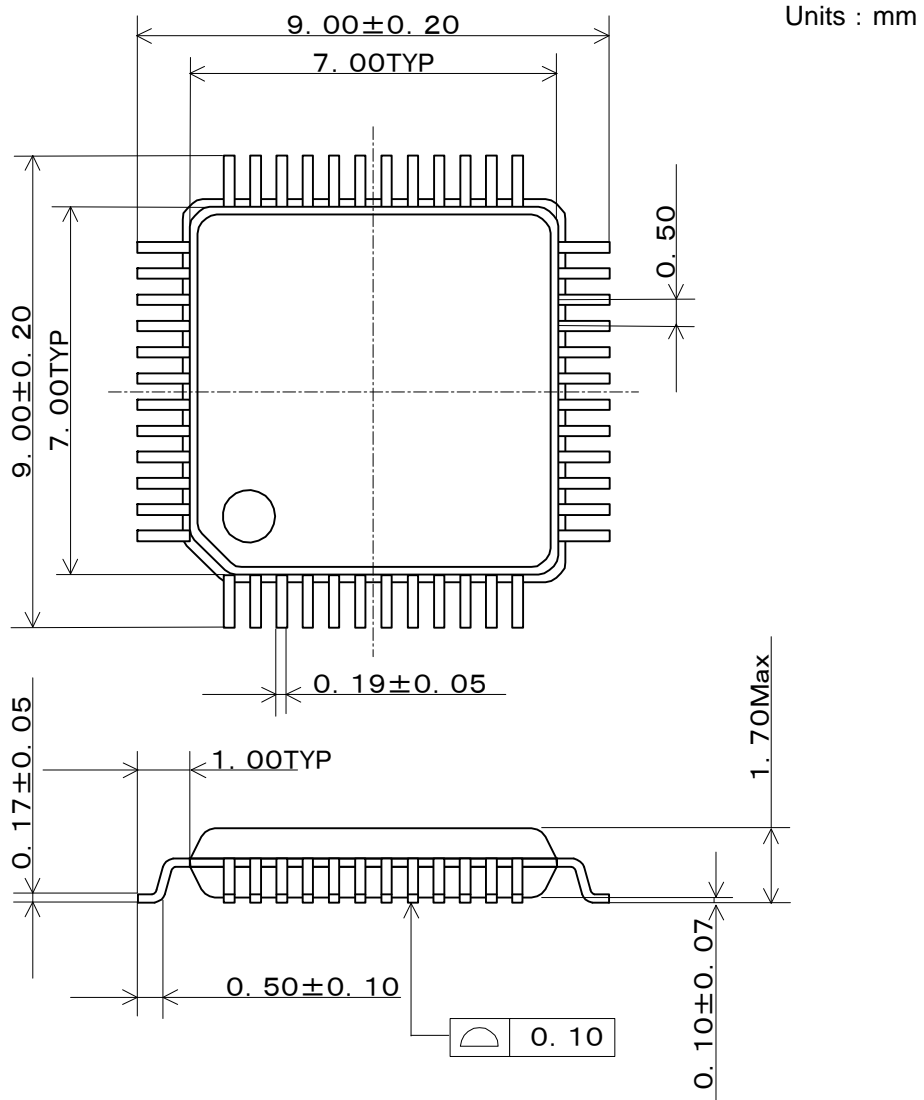
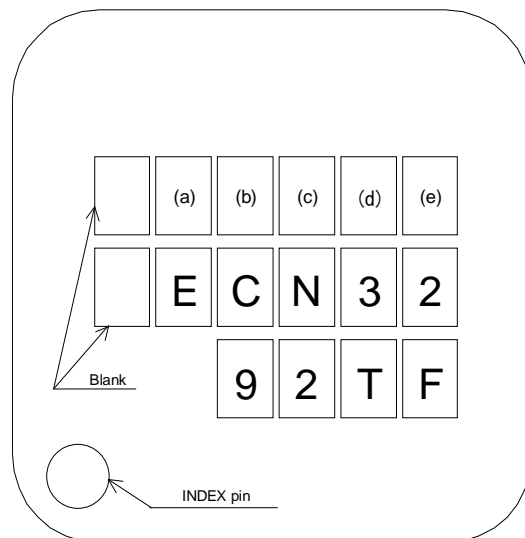


Fig.4 Package Outline (48pin TQFP Package)

ECN3292TF

10. Marking spec

10.1 ECN3290TF



Lot numbering rule

(a): Year code (Least significant digit of Assembled year (A.D.))

(b): Month code (Refer to following table.)

Month	1	2	3	4	5	6	7	8	9	10	11	12
Month code	A	B	C	D	E	K	L	M	N	X	Y	Z

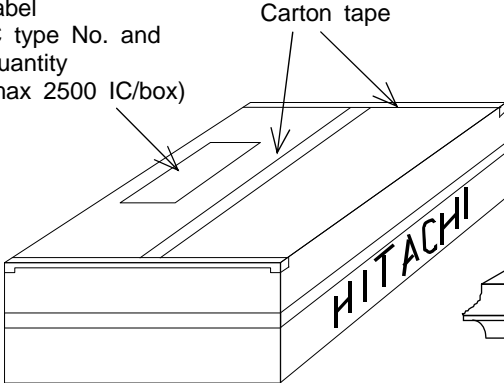
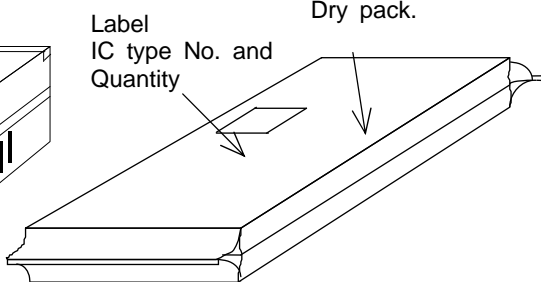
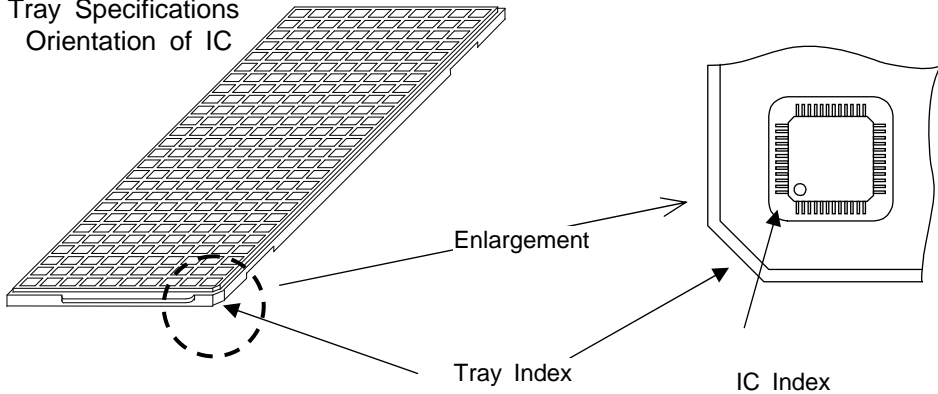
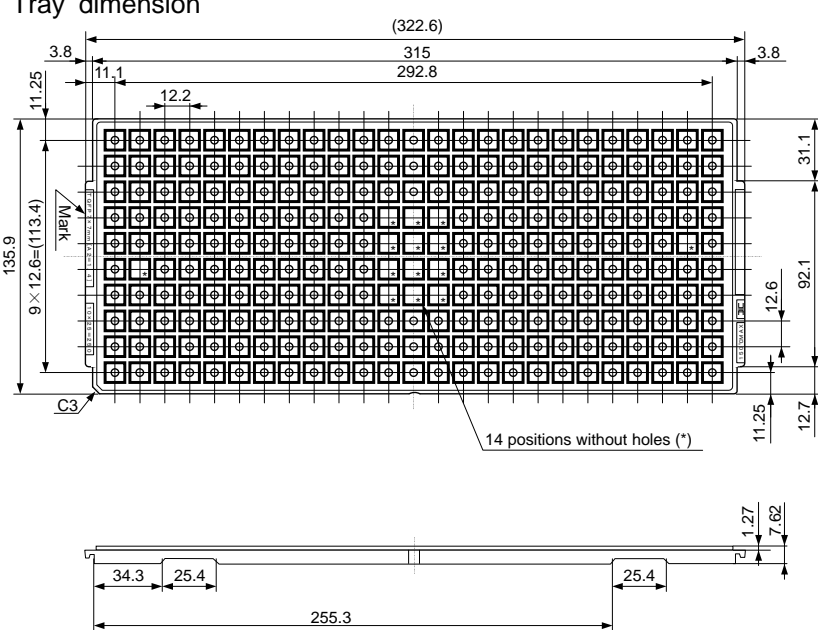
(c),(d),(e): Serial number within year/month code

ECN3292TF

11. Packing Form

11.1 ECN3292TF

Packaging details are as shown below.

<p>1.Outer and inner packing</p>	<p>Label IC type No. and Quantity (max 2500 IC/box)</p> <p>Carton tape</p>  <p>Outer box (cardboard box)</p> <p>Label IC type No. and Quantity</p> <p>Dry pack.</p>  <p>Inner</p>
<p>2.Tray</p>	<p>Tray Specifications</p> <p>Orientation of IC</p>  <p>Enlargement</p> <p>Tray Index</p> <p>IC Index</p> <p>Tray dimension</p>  <p>Unit: mm</p> <p>14 positions without holes (*)</p> <ol style="list-style-type: none"> (1) Material of tray is PPE containing carbon and static proof. (2) Packing quantity is max 250 IC/Tray. (3) Maximum heat resistant temperature is 150°C

ECN3292TF

12. Inspection

Hundred percent inspections shall be conducted on electric characteristics.

13. Important Notice

- 13.1 Hitachi warrants performance of its power semiconductor products (hereinafter called "products") to the specifications applicable at the time of sale in accordance with the Product Specification. Testing and other quality control techniques are utilized to the extent Hitachi needs to meet specifications described in the Product Specification. Specific testing of all parameters of each device is not necessarily performed, except those mandated by related laws and/or regulations.
- 13.2 Should any claim be made within one month of product delivery about products' failure to meet performance described in the Product Specification, all the products in relevant lot(s) shall be re-tested and re-delivered. Products delivered more than one month before of such claim shall not be counted for such response.
- 13.3 Hitachi assumes no obligation or any way of compensation should any fault about customer's goods using products be found in marketplace. Only in such a case fault of Hitachi is evident and products concerned do not meet the Product Specification, compensation shall be conducted if claimed within one year of product delivery up to in the way of product replacement or payment of equivalent amount.
- 13.4 Hitachi reserves the right to make changes in the Product Specification and to discontinue mass production of the relevant products without notice. Customers are advised before purchasing to confirm specification of the product of inquiry is the latest version and that the relevant product is on mass production status in such a case purchasing is suspended for one year or more.
- 13.5 In no event shall Hitachi be liable for any damage that may result from an accident or any other cause during operation of the user's units according to this Product Specification. Hitachi assumes no responsibility for any intellectual property claims or any other problems that may result from applications of information, products or circuits described in this Product Specification.
- 13.6 No license is granted by this Product Specification under any patents or other rights of any third party or Hitachi Power Semiconductor Device, Ltd.
- 13.7 This Product Specification may not be reproduced or duplicated, in any form, in whole or in part, without the expressed written permission of Hitachi Power Semiconductor Device, Ltd.
- 13.8 The products (technologies) described in this Product Specification are not to be provided to any party whose purpose in their application will hinder maintenance of international peace and safety nor are they to be applied to that purpose by their direct purchasers or any third party. When exporting these products (technologies), the necessary procedures are to be taken in accordance with related laws and regulations.

ECN3292TF

14. Cautions

- 14.1 Customers are advised to follow the below cautions to protect semiconductor from electrical static discharge (ESD).
- a) IC needs to be dealt with caution to protect from damage by ESD. Material of container or any device to carry semiconductor devices should be free from ESD, which may be caused by vibration while transportation. To use electric-conductive container or aluminum sheet is recommended as an effective countermeasure.
 - b) Those what touch semiconductor devices such as work platform, machine and measuring and test equipment should be grounded.
 - c) Workers should be grounded connecting with high impedance around 100kΩ to 1MΩ while dealing with semiconductor to avoid damaging IC by electric static discharge.
 - d) Friction with other materials such as a high polymer should not be caused.
 - e) Attention is needed so that electric potential will be kept on the same level by short circuit terminals when PC board with mounted IC is carried and that vibration or friction might not occur.
 - f) Air conditioning is needed so that humidity should not drop.
- 14.2 Refer to the latest version of "Instructions for Use of Hitachi High-Voltage Monolithic ICs" for the other precautions and instructions on how to deal with products.
- 14.3 Regardless of changes in external conditions during use, "absolute maximum ratings" should never be exceeded in designing electronic circuits that employ products. In a case absolute maximum ratings are exceeded, products may be damaged or destroyed. In no event shall Hitachi be liable for any failure in products or any secondary damage resulting from use at a value exceeding the absolute maximum ratings.
- 14.4 Products may experience failures due to accident or unexpected surge voltages. Accordingly, adopt safe design features, such as redundancy or prevention of erroneous action, to avoid extensive damage in the event of a failure.
- 14.5 Products are not designed, manufactured, or warranted to be suitable for use where extremely high reliability is required (such as use in nuclear power control, aerospace and aviation, traffic equipment, life-support-related medical equipment, fuel control equipment and various kinds of safety equipment).
- Inclusion of products in such application shall be fully at the risk of customers. Hitachi Power Semiconductor Device, Ltd. assumes no liability for applications assistance, customer product design, or performance.
- In such cases it is advised customers ensure circuit and/or product safety by using semiconductor devices that assures high reliability or by means of user's fail-safe precautions or other arrangement.
- (If a semiconductor device fails, there may be cases in which the semiconductor device, wiring or wiring pattern will emit smoke or cause a fire or in which the semiconductor device will burst.)
- 14.6 Lead-free solder is used for coating pins and the tab of this IC. Refer to the latest version of "Instructions for Use of Hitachi High-Voltage Monolithic ICs" for soldering conditions.
- 14.7 Storage
- a) Products are using anti-moisture packing to avoid absorption before solder installation. The epoxy resin used in plastic package has moisture-absorption characteristics. When products are stored in high humidity areas, moisture absorption is unavoidable. If a large amount of water is absorbed, it quickly turns into steam during solder installation, which causes package cracking. So, Moisture absorbed product has to remove moisture absorbed like as baking process.
- Please refer to the followings and the Clause 6.2, the latest version of "Instructions for Use of

ECN3292TF

Hitachi High-Voltage Monolithic ICs” for handling before and/or after opening the anti-moisture packing.

- b) For storage before opening the anti-moisture packing
Store products before opening the anti-moisture packing in the room where temperature and humidity are controlled. Control the Storing environment is 5~35°C and 45~75% RH.
- c) For handling after opening the anti-moisture packing
Storage conditions after opening the anti-moisture packing are follows;

Standard storage conditions after opening the anti-moisture packing

Items	Conditions	Remarks
Temperature	5 to 30 °C	
Humidity	70% RH or less	
Storage time	within 168 hours	The time from opening the packing to finishing the reflow soldering

When storing products for long periods, use low humidity storage box (30%RH) and so on. After taking products out from storage box, store products on the condition in the above-mentioned table. It's the same as after opening the anti-moisture packing

- d) Baking
Baking is necessary in the following cases;
(1) When a blue color indicator placed in a desiccant (silica gel) cannot be seen.
(2) When specified storage time has elapsed or it may have elapsed.
- e) Baking condition
Baking conditions is follows;
 Baking temperature: 125 °C, Baking time: 16 to 24 hours
When baking products before soldering, use the heat-resistance tray (it's marked "HEAT PROOF").
- f) Desiccant in the anti-moisture packing
The desiccant (silica gel) is enclosed in the anti-moisture packing, in order to moisture exclusion. If an indicator card is packed in an anti-moisture pack (dry pack), it can check the rate of moisture absorption.
The indicator shows deep blue before moisture absorption. When moisture is adsorbed, it gradually discolors. After the moisture absorbent ability completely lost, the indicator becomes lavender (pink).

Precautions for Safe Use and Notices

If semiconductor devices are handled in inappropriate manner, failures may result. For this reason, be sure to read the latest version of "Instructions for Use of Hitachi High-Voltage Monolithic ICs" before use.



This mark indicates an item about which caution is required.



CAUTION

This mark indicates a potentially hazardous situation which, if not avoided, may result in minor or moderate injury and damage to property.



CAUTION

- (1) Regardless of changes in external conditions during use "absolute maximum ratings" should never be exceeded in designing electronic circuits that employ semiconductors. In the case of pulse use, furthermore, "safe operating area (SOA)" precautions should be observed.
- (2) Semiconductor devices may experience failures due to accident or unexpected surge voltages. Accordingly, adopt safe design features, such as redundancy or prevention of erroneous action, to avoid extensive damage in the event of a failure.
- (3) In cases where extremely high reliability is required (such as use in nuclear power control, aerospace and aviation, traffic equipment, life-support-related medical equipment, fuel control equipment and various kinds of safety equipment), safety should be ensured by using semiconductor devices that feature assured safety or by means of user's fail-safe precautions or other arrangement. Or consult Hitachi's sales department staff.

(If a semiconductor device fails, there may be cases in which the semiconductor device, wiring or wiring pattern will emit smoke or cause a fire or in which the semiconductor device will burst)

NOTICES

1. This Data Sheet contains the specifications, characteristics (in figures and tables), dimensions and handling notes concerning power semiconductor products (hereinafter called "products") to aid in the selection of suitable products.
2. The specifications and dimensions, etc. stated in this Data Sheet are subject to change without prior notice to improve products characteristics. Before ordering, purchasers are advised to contact Hitachi's sales department for the latest version of this Data Sheet and specifications.
3. In no event shall Hitachi be liable for any damage that may result from an accident or any other cause during operation of the user's units according to this Data Sheet. Hitachi assumes no responsibility for any intellectual property claims or any other problems that may result from applications of information, products or circuits described in this Data Sheet.
4. In no event shall Hitachi be liable for any failure in a semiconductor device or any secondary damage resulting from use at a value exceeding the absolute maximum rating.
5. No license is granted by this Data Sheet under any patents or other rights of any third party or Hitachi Power Semiconductor Device, Ltd.
6. This Data Sheet may not be reproduced or duplicated, in any form, in whole or in part, without the expressed written permission of Hitachi Power Semiconductor Device, Ltd.
7. The products (technologies) described in this Data Sheet are not to be provided to any party whose purpose in their application will hinder maintenance of international peace and safety nor are they to be applied to that purpose by their direct purchasers or any third party. When exporting these products (technologies), the necessary procedures are to be taken in accordance with related laws and regulations.

Refer to the following website for the latest information. Consult Hitachi's sales department staff if you have any questions.

<http://www.hitachi-power-semiconductor-device.co.jp/en/>