

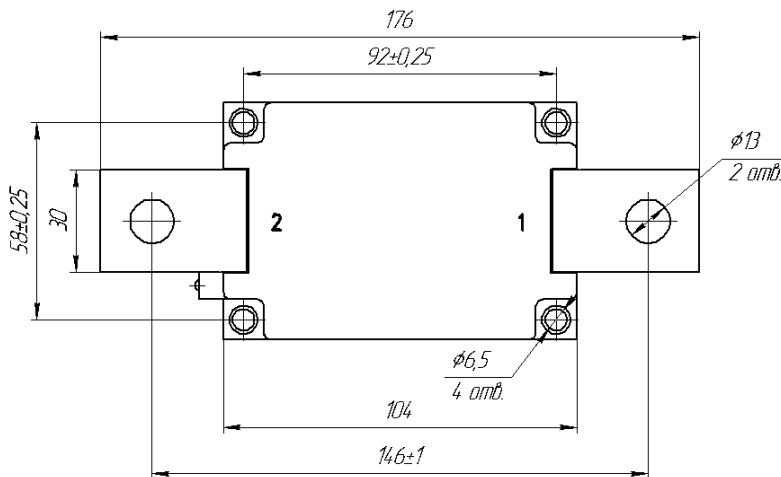
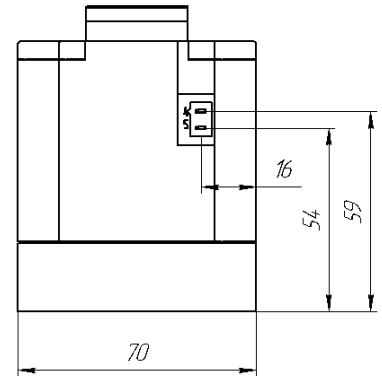
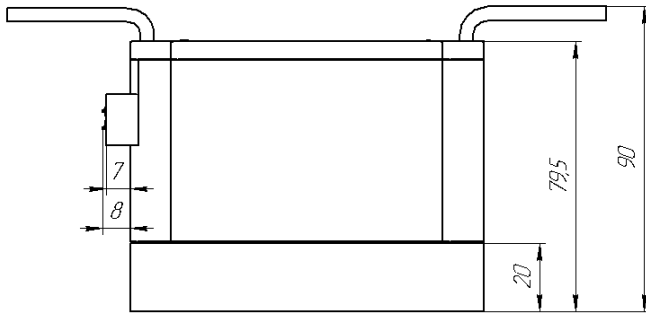
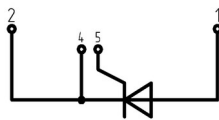


Electrically isolated base plate  
Industrial standard package  
Simplified mechanical design, rapid assembly  
Pressure contact

**Single Thyristor Module  
For Phase Control  
MT1-630-28-E**

Mean on-state current			$I_{TAV}$	630 A	
Repetitive peak off-state voltage			$V_{DRM}$	2000 ÷ 2800 V	
Repetitive peak reverse voltage			$V_{RRM}$		
Turn-off time			$t_q$	320 $\mu$ s	
$V_{DRM}, V_{RRM}, V$	2000	2200	2400	2600	2800
Voltage code	20	22	24	26	28
$T_j, ^\circ C$	-40 ÷ 125				

**MT1**



## MAXIMUM ALLOWABLE RATINGS

Symbols and parameters		Units	Values	Test conditions
<b>ON-STATE</b>				
$I_{TAV}$	Mean on-state current	A	630	$T_c=85\text{ }^\circ\text{C}$ ; 180° half-sine wave; 50 Hz
$I_{TRMS}$	RMS on-state current	A	989	
$I_{TSM}$	Surge on-state current	kA	23.0 26.0	$T_j=T_{j\text{ max}}$ $T_j=25\text{ }^\circ\text{C}$ 180° half-sine wave; $t_p=10\text{ ms}$ ; single pulse; $V_D=V_R=0\text{ V}$ ; Gate pulse: $I_G=I_{FGM}$ ; $V_G=20\text{ V}$ ; $t_{GP}=500\text{ }\mu\text{s}$ ; $di_G/dt=1\text{ A}/\mu\text{s}$
			24.0 28.0	$T_j=T_{j\text{ max}}$ $T_j=25\text{ }^\circ\text{C}$ 180° half-sine wave; $t_p=8.3\text{ ms}$ ; single pulse; $V_D=V_R=0\text{ V}$ ; Gate pulse: $I_G=I_{FGM}$ ; $V_G=20\text{ V}$ ; $t_{GP}=500\text{ }\mu\text{s}$ ; $di_G/dt=1\text{ A}/\mu\text{s}$
$I^2t$	Safety factor	$A^2s\cdot 10^3$	2600 3300	$T_j=T_{j\text{ max}}$ $T_j=25\text{ }^\circ\text{C}$ 180° half-sine wave; $t_p=10\text{ ms}$ ; single pulse; $V_D=V_R=0\text{ V}$ ; Gate pulse: $I_G=I_{FGM}$ ; $V_G=20\text{ V}$ ; $t_{GP}=500\text{ }\mu\text{s}$ ; $di_G/dt=1\text{ A}/\mu\text{s}$
			2300 3200	$T_j=T_{j\text{ max}}$ $T_j=25\text{ }^\circ\text{C}$ 180° half-sine wave; $t_p=8.3\text{ ms}$ ; single pulse; $V_D=V_R=0\text{ V}$ ; Gate pulse: $I_G=I_{FGM}$ ; $V_G=20\text{ V}$ ; $t_{GP}=500\text{ }\mu\text{s}$ ; $di_G/dt=1\text{ A}/\mu\text{s}$
<b>BLOCKING</b>				
$V_{DRM}, V_{RRM}$	Repetitive peak off-state and Repetitive peak reverse voltages	V	2000÷2800	$T_{j\text{ min}} < T_j < T_{j\text{ max}}$ ; 180° half-sine wave; 50 Hz; Gate open
$V_{DSM}, V_{RSM}$	Non-repetitive peak off-state and Non-repetitive peak reverse voltages	V	2100÷2900	$T_{j\text{ min}} < T_j < T_{j\text{ max}}$ ; 180° half-sine wave; single pulse; Gate open
$V_{Dr}, V_R$	Direct off-state and Direct reverse voltages	V	$0.6\cdot V_{DRM}$ $0.6\cdot V_{RRM}$	$T_j=T_{j\text{ max}}$ ; Gate open
<b>TRIGGERING</b>				
$I_{FGM}$	Peak forward gate current	A	8	$T_j=T_{j\text{ max}}$
$V_{RGM}$	Peak reverse gate voltage	V	5	
$P_G$	Gate power dissipation	W	4	$T_j=T_{j\text{ max}}$ for DC gate current
<b>SWITCHING</b>				
$(di_T/dt)_{crit}$	Critical rate of rise of on-state current non-repetitive (f=1 Hz)	$A/\mu\text{s}$	400	$T_j=T_{j\text{ max}}$ ; $V_D=0.67\cdot V_{DRM}$ ; $I_{TM}=2 I_{TAV}$ ; Gate pulse: $I_G=I_{FGM}$ ; $V_G=20\text{ V}$ ; $t_{GP}=500\text{ }\mu\text{s}$ ; $di_G/dt=2\text{ A}/\mu\text{s}$
<b>THERMAL</b>				
$T_{stg}$	Storage temperature	$^\circ\text{C}$	-40 ÷ 50	
$T_j$	Operating junction temperature	$^\circ\text{C}$	-40 ÷ 125	
$T_{c\text{ op}}$	Operating temperature	$^\circ\text{C}$	-40 ÷ 125	
<b>MECHANICAL</b>				
a	Acceleration under vibration	$\text{m}/\text{s}^2$	50	

## CHARACTERISTICS

Symbols and parameters		Units	Values	Conditions	
<b>ON-STATE</b>					
$V_{TM}$	Peak on-state voltage, max	V	1.55	$T_j=25\text{ }^\circ\text{C}; I_{TM}=2500\text{ A}$	
$V_{T(TO)}$	On-state threshold voltage, max	V	0.95	$T_j=T_{j\text{ max}};$	
$r_T$	On-state slope resistance, max	m $\Omega$	0.350	$0.5\pi I_{TAV} < I_T < 1.5\pi I_{TAV}$	
$I_L$	Latching current, max	mA	1500	$T_j=25\text{ }^\circ\text{C}; V_D=12\text{ V};$ Gate pulse: $I_G=I_{FGM}; V_G=20\text{ V};$ $t_{GP}=500\text{ }\mu\text{s}; di_G/dt=1\text{ A}/\mu\text{s}$	
$I_H$	Holding current, max	mA	300	$T_j=25\text{ }^\circ\text{C};$ $V_D=12\text{ V};$ Gate open	
<b>BLOCKING</b>					
$I_{DRM}, I_{RRM}$	Repetitive peak off-state and Repetitive peak reverse currents, max	mA	200	$T_j=T_{j\text{ max}};$ $V_D=V_{DRM}; V_R=V_{RRM}$	
$(dv_D/dt)_{crit}$	Critical rate of rise of off-state voltage <sup>1)</sup> , min	V/ $\mu\text{s}$	1000	$T_j=T_{j\text{ max}};$ $V_D=0.67\cdot V_{DRM};$ Gate open	
<b>TRIGGERING</b>					
$V_{GT}$	Gate trigger direct voltage, max	V	4.00 2.50 2.00	$T_j= T_{j\text{ min}}$ $T_j=25\text{ }^\circ\text{C}$ $T_j= T_{j\text{ max}}$	$V_D=12\text{ V}; I_D=3\text{ A};$ Direct gate current
$I_{GT}$	Gate trigger direct current, max	mA	400 250 200	$T_j= T_{j\text{ min}}$ $T_j= 25\text{ }^\circ\text{C}$ $T_j= T_{j\text{ max}}$	
$V_{GD}$	Gate non-trigger direct voltage, min	V	0.25	$T_j=T_{j\text{ max}};$ $V_D=0.67\cdot V_{DRM};$	
$I_{GD}$	Gate non-trigger direct current, min	mA	10.00	Direct gate current	
<b>SWITCHING</b>					
$t_{gd}$	Delay time	$\mu\text{s}$	2.50	$T_j=25\text{ }^\circ\text{C}; V_D=1500\text{ V}; I_{TM}=I_{TAV};$ $di/dt=200\text{ A}/\mu\text{s};$ Gate pulse: $I_G=2\text{ A}; V_G=20\text{ V};$ $t_{GP}=50\text{ }\mu\text{s}; di_G/dt=2\text{ A}/\mu\text{s}$	
$t_q$	Turn-off time <sup>2)</sup> , max	$\mu\text{s}$	320	$dv_D/dt=50\text{ V}/\mu\text{s}; T_j=T_{j\text{ max}}; I_{TM}= I_{TAV};$ $di_R/dt=-10\text{ A}/\mu\text{s}; V_R=100\text{ V};$ $V_D=0.67\cdot V_{DRM}$	
<b>THERMAL</b>					
$R_{thjc}$	Thermal resistance, junction to case			180° half-sine wave, 50 Hz	
	per module	$^\circ\text{C}/\text{W}$	0.0420		
$R_{thch}$	Thermal resistance, case to heatsink				
	per module	$^\circ\text{C}/\text{W}$	0.0100		
<b>INSULATION</b>					
$V_{ISOL}$	Insulation test voltage	kV	3.00	Sine wave, 50 Hz;	t=60 sec
			3.60	RMS	t=1 sec
<b>MECHANICAL</b>					
$M_1$	Mounting torque (M6) <sup>3)</sup>	Nm	6.00	Tolerance $\pm 15\%$	
$M_2$	Terminal connection torque (M12) <sup>3)</sup>	Nm	18.00	Tolerance $\pm 15\%$	
w	Weight, max	g	2250		

**PART NUMBERING GUIDE**

MT	1	-	630	-	28	-	A2	K2	-	E	-	N
1	2		3		4		5	6		7		8

1. MT - Thyristor module
2. Circuit Schematic
3. Average On-state Current, A
4. Voltage Code
5. Critical rate of rise of off-state voltage
6. Group of turn-off time ( $dv_D/dt=50\text{ V}/\mu\text{s}$ )
7. Package Type (M.E)
8. Ambient Conditions:  
N – Normal

**NOTES**

<sup>1)</sup> Critical rate of rise of off-state voltage

Symbol of group	A2
$(dv_D/dt)_{crit}, \text{ V}/\mu\text{s}$	1000

<sup>2)</sup> Turn-off time ( $dv_D/dt=50\text{ V}/\mu\text{s}$ )

Symbol of group	K2
$t_{q}, \mu\text{s}$	320

<sup>3)</sup> The screws must be lubricated



UL certified file-No. E255404