



# PROTON-ELECTROTEX RUSSIA

High power cycling capability  
 Low on-state and switching losses  
 Optimized for line frequency rectifiers  
 Designed for traction and industrial applications

## Rectifier Diode Type D253-2000-18

Average forward current				$I_{FAV}$	2000 A				
Repetitive peak reverse voltage				$V_{RRM}$	1000 ÷ 1800 V				
$V_{RRM}, V$	1000	1100	1200	1300	1400	1500	1600	1800	
Voltage code	10	11	12	13	14	15	16	18	
$T_j, ^\circ C$	-60 ÷ 190								

### MAXIMUM ALLOWABLE RATINGS

Symbols and parameters		Units	Values	Test conditions
<b>ON-STATE</b>				
$I_{FAV}$	Average forward current	A	2000 2975	$T_c=138\ ^\circ C$ ; Double side cooled; $T_c=100\ ^\circ C$ ; Double side cooled; 180° half-sine wave; 50 Hz
$I_{FRMS}$	RMS forward current	A	3140	$T_c=138\ ^\circ C$ ; Double side cooled; 180° half-sine wave; 50 Hz
$I_{FSM}$	Surge forward current	kA	35.0 40.0	$T_j=T_{j\ max}$ $T_j=25\ ^\circ C$ 180° half-sine wave; 50 Hz ( $t_p=10\ ms$ ); single pulse; $V_R=0\ V$ ;
			37.0 43.0	$T_j=T_{j\ max}$ $T_j=25\ ^\circ C$ 180° half-sine wave; 60 Hz ( $t_p=8.3\ ms$ ); single pulse; $V_R=0\ V$ ;
$I^2t$	Safety factor	$A^2s \cdot 10^3$	6125 8000	$T_j=T_{j\ max}$ $T_j=25\ ^\circ C$ 180° half-sine wave; 50 Hz ( $t_p=10\ ms$ ); single pulse; $V_R=0\ V$ ;
			5680 7670	$T_j=T_{j\ max}$ $T_j=25\ ^\circ C$ 180° half-sine wave; 60 Hz ( $t_p=8.3\ ms$ ); single pulse; $V_R=0\ V$ ;
<b>BLOCKING</b>				
$V_{RRM}$	Repetitive peak reverse voltages	V	1000 ÷ 1800	$T_{j\ min} < T_j < T_{j\ max}$ ; 180° half-sine wave; 50 Hz;
$V_{RSM}$	Non-repetitive peak reverse voltages	V	1100 ÷ 1900	$T_{j\ min} < T_j < T_{j\ max}$ ; 180° half-sine wave; 50 Hz; single pulse;
$V_R$	Reverse continuous voltages	V	$0.75 \cdot V_{RRM}$	$T_j = T_{j\ max}$ ;
<b>THERMAL</b>				
$T_{stg}$	Storage temperature	$^\circ C$	-60 ÷ 50	
$T_j$	Operating junction temperature	$^\circ C$	-60 ÷ 190	
<b>MECHANICAL</b>				
F	Mounting force	kN	24.0 ÷ 28.0	
a	Acceleration	$m/s^2$	50	Device unclamped
			100	Device clamped

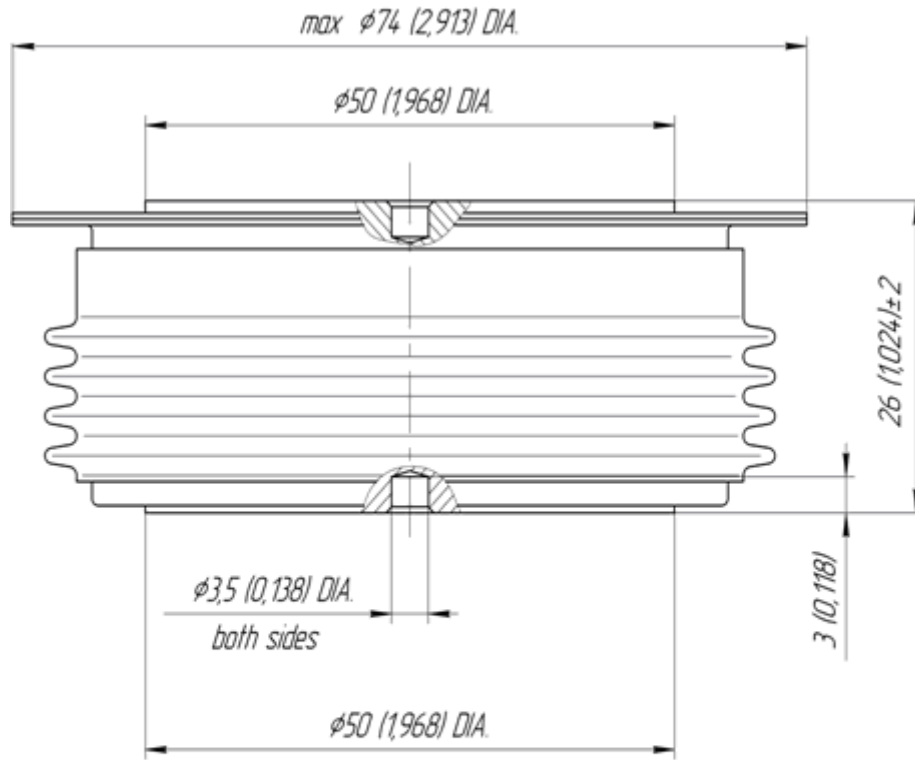
## CHARACTERISTICS

Symbols and parameters		Units	Values	Conditions	
<b>ON-STATE</b>					
$V_{FM}$	Peak forward voltage, max	V	1.55	$T_j=25\text{ }^\circ\text{C}; I_{FM}=6280\text{ A}$	
$V_{F(TO)}$	Forward threshold voltage, max	V	0.95	$T_j=T_{j\text{ max}}$ ;	
$r_T$	Forward slope resistance, max	m $\Omega$	0.100	$0.5\pi I_{FAV} < I_T < 1.5\pi I_{FAV}$	
<b>BLOCKING</b>					
$I_{RRM}$	Repetitive peak reverse current, max	mA	100	$T_j=T_{j\text{ max}}$ ; $V_R=V_{RRM}$	
<b>THERMAL</b>					
$R_{thjc}$	Thermal resistance, junction to case, max	$^\circ\text{C/W}$	0.0180	Direct current	Double side cooled
$R_{thjc-A}$			0.0396		Anode side cooled
$R_{thjc-K}$			0.0324		Cathode side cooled
$R_{thck}$	Thermal resistance, case to heatsink, max	$^\circ\text{C/W}$	0.0040	Direct current	
<b>MECHANICAL</b>					
w	Weight, typ	g	510		
$D_s$	Surface creepage distance	mm (inch)	38.84 (1.529)		
$D_a$	Air strike distance	mm (inch)	22.50 (0.886)		

### PART NUMBERING GUIDE

D	253	2000	18	N
1	2	3	4	5

1. D — Rectifier Diode
2. Design version
3. Average forward current, A
4. Voltage code
5. Ambient conditions: N – normal; T – tropical



All dimensions in millimeters (inches)