

Low switching losses
 Low reverse recovery charge
 High power cycling capability

Fast Recovery Diode Type DF273-2000-24

Average forward current		I_{FAV}	2000 A
Repetitive peak reverse voltage		V_{RRM}	2000 ÷ 2400 V
Reverse recovery time		t_{rr}	8.0 μ s
V_{RRM} , V	2000	2200	2400
Voltage code	20	22	24
T_j , °C	- 60 ÷ 125		

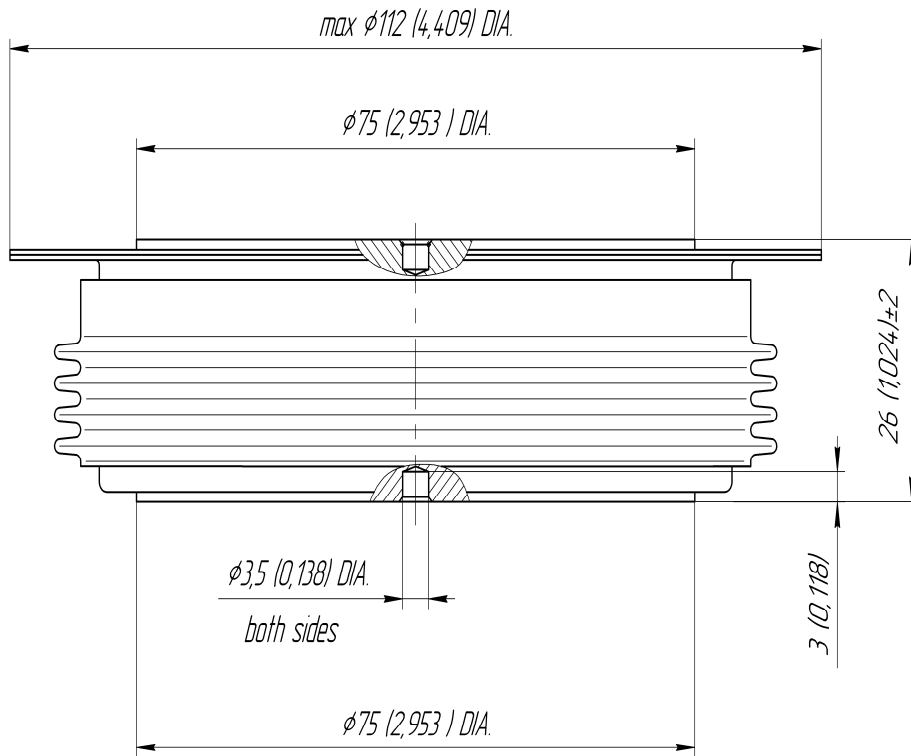
MAXIMUM ALLOWABLE RATINGS

Symbols and parameters		Units	Values	Test conditions
ON-STATE				
I_{FAV}	Average forward current	A	2000 3280	$T_c=90$ °C; Double side cooled; $T_c=55$ °C; Double side cooled; 180° half-sine wave; 50 Hz
I_{FRMS}	RMS forward current	A	3140	$T_c=90$ °C; Double side cooled; 180° half-sine wave; 50 Hz
I_{FSM}	Surge forward current	kA	46.0 53.0	$T_j=T_{j\ max}$ $T_j=25$ °C 180° half-sine wave; 50 Hz ($t_p=10$ ms); single pulse; $V_R=0$ V;
			49.0 56.0	$T_j=T_{j\ max}$ $T_j=25$ °C 180° half-sine wave; 60 Hz ($t_p=8.3$ ms); single pulse; $V_R=0$ V;
I^2t	Safety factor	$A^2s \cdot 10^3$	10580 14045	$T_j=T_{j\ max}$ $T_j=25$ °C 180° half-sine wave; 50 Hz ($t_p=10$ ms); single pulse; $V_R=0$ V;
			9960 13010	$T_j=T_{j\ max}$ $T_j=25$ °C 180° half-sine wave; 60 Hz ($t_p=8.3$ ms); single pulse; $V_R=0$ V;
BLOCKING				
V_{RRM}	Repetitive peak reverse voltages	V	2000÷2400	$T_{j\ min} < T_j < T_{j\ max}$; 180° half-sine wave; 50 Hz;
V_{RSM}	Non-repetitive peak reverse voltages	V	2100÷2500	$T_{j\ min} < T_j < T_{j\ max}$; 180° half-sine wave; 50 Hz; single pulse;
V_R	Reverse continuous voltages	V	$0.75 \cdot V_{RRM}$	$T_j = T_{j\ max}$;
THERMAL				
T_{stg}	Storage temperature	°C	- 60 ÷ 125	
T_j	Operating junction temperature	°C	- 60 ÷ 125	
MECHANICAL				
F	Mounting force	kN	40.0 ÷ 50.0	
a	Acceleration	m/s^2	50	Device unclamped
			100	Device clamped

CHARACTERISTICS

Symbols and parameters		Units	Values	Conditions	
ON-STATE					
V_{FM}	Peak forward voltage, max	V	1.85	$T_j=25\text{ }^\circ\text{C}; I_{FM}=6280\text{ A}$	
$V_{F(TO)}$	Forward threshold voltage, max	V	1.30	$T_j=T_{j\text{ max}};$ $0.5\pi I_{FAV} < I_T < 1.5\pi I_{FAV}$	
r_T	Forward slope resistance, max	m Ω	0.150		
BLOCKING					
I_{RRM}	Repetitive peak reverse current, max	mA	200	$T_j=T_{j\text{ max}};$ $V_R=V_{RRM}$	
SWITCHING					
Q_{rr}	Total recovered charge, max	μC	1800	$T_j=T_{j\text{ max}}; I_{FM}=I_{FAV};$ $di_R/dt=-100\text{ A}/\mu\text{s};$ $V_R=100\text{ V};$	
t_{rr}	Reverse recovery time, max	μs	8.0		
I_{rrM}	Peak reverse recovery current, max	A	450		
THERMAL					
R_{thjc}	Thermal resistance, junction to case, max	$^\circ\text{C}/\text{W}$	0.0085	Direct current	Double side cooled
R_{thjc-A}			0.0187		Anode side cooled
R_{thjc-K}			0.0153		Cathode side cooled
R_{thck}	Thermal resistance, case to heatsink, max	$^\circ\text{C}/\text{W}$	0.0020	Direct current	
MECHANICAL					
w	Weight, typ	g	1500		
D_s	Surface creepage distance	mm (inch)	41.40 (1.630)		
D_a	Air strike distance	mm (inch)	23.10 (0.909)		

PART NUMBERING GUIDE						GROUP OF RECOVERY TIME	
DF	273	2000	24	B4	N	Group Symbol	
1	2	3	4	5	6	$t_{rr}, \mu\text{s}$	B4 8.0
1. Fast recovery diode 2. Design version 3. Average forward current, A 4. Voltage code 5. Group of reverse recovery time 6. Ambient conditions: N – normal; T – tropical							



All dimensions in millimeters (inches)