

High power cycling capability
 Low on-state and switching losses
 Optimized for line frequency rectifiers
 Designed for traction and industrial applications

Rectifier Diode Type D143-1000-18

Average forward current				I_{FAV}	1000 A				
Repetitive peak reverse voltage				V_{RRM}	1000 ÷ 1800 V				
V_{RRM}, V	1000	1100	1200	1300	1400	1500	1600	1800	
Voltage code	10	11	12	13	14	15	16	18	
$T_j, °C$	-60 ÷ 190								

MAXIMUM ALLOWABLE RATINGS

Symbols and parameters		Units	Values	Test conditions	
ON-STATE					
I_{FAV}	Average forward current	A	1000 1705	$T_c=148 °C$; Double side cooled; $T_c=100 °C$; Double side cooled; 180° half-sine wave; 50 Hz	
I_{FRMS}	RMS forward current	A	1570	$T_c=148 °C$; Double side cooled; 180° half-sine wave; 50 Hz	
I_{FSM}	Surge forward current	kA	18.0 21.0	$T_j=T_{j\ max}$ $T_j=25 °C$	180° half-sine wave; 50 Hz ($t_p=10\ ms$); single pulse; $V_R=0\ V$;
			19.0 21.9	$T_j=T_{j\ max}$ $T_j=25 °C$	180° half-sine wave; 60 Hz ($t_p=8.3\ ms$); single pulse; $V_R=0\ V$;
I^2t	Safety factor	$A^2s \cdot 10^3$	1620 2140	$T_j=T_{j\ max}$ $T_j=25 °C$	180° half-sine wave; 50 Hz ($t_p=10\ ms$); single pulse; $V_R=0\ V$;
			1495 1990	$T_j=T_{j\ max}$ $T_j=25 °C$	180° half-sine wave; 60 Hz ($t_p=8.3\ ms$); single pulse; $V_R=0\ V$;
BLOCKING					
V_{RRM}	Repetitive peak reverse voltages	V	1000 ÷ 1800	$T_{j\ min} < T_j < T_{j\ max}$; 180° half-sine wave; 50 Hz;	
V_{RSM}	Non-repetitive peak reverse voltages	V	1100 ÷ 1900	$T_{j\ min} < T_j < T_{j\ max}$; 180° half-sine wave; 50 Hz; single pulse;	
V_R	Reverse continuous voltages	V	$0.75 \cdot V_{RRM}$	$T_j = T_{j\ max}$;	
THERMAL					
T_{stg}	Storage temperature	°C	-60 ÷ 50		
T_j	Operating junction temperature	°C	-60 ÷ 190		
MECHANICAL					
F	Mounting force	kN	14.0 ÷ 16.0		
a	Acceleration	m/s^2	50	Device unclamped	
			100	Device clamped	

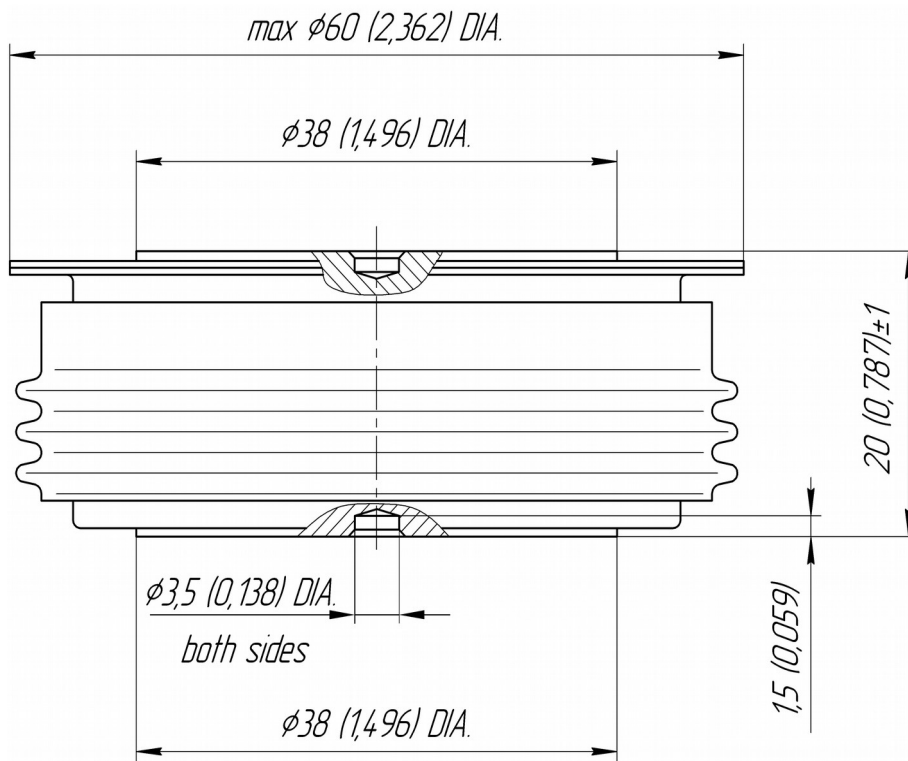
CHARACTERISTICS

Symbols and parameters		Units	Values	Conditions	
ON-STATE					
V_{FM}	Peak forward voltage, max	V	1.55	$T_j=25\text{ }^\circ\text{C}; I_{FM}=3140\text{ A}$	
$V_{F(TO)}$	Forward threshold voltage, max	V	1.00	$T_j=T_{j\text{ max}}$;	
r_T	Forward slope resistance, max	m Ω	0.227	$0.5\pi I_{FAV} < I_T < 1.5\pi I_{FAV}$	
BLOCKING					
I_{RRM}	Repetitive peak reverse current, max	mA	70	$T_j=T_{j\text{ max}}$; $V_R=V_{RRM}$	
THERMAL					
R_{thjc}	Thermal resistance, junction to case, max	$^\circ\text{C/W}$	0.027	Direct current	
R_{thjc-A}			0.059		Double side cooled
R_{thjc-K}			0.049		Anode side cooled
R_{thck}	Thermal resistance, case to heatsink, max	$^\circ\text{C/W}$	0.006	Direct current	
MECHANICAL					
w	Weight, typ	g	260		
D_s	Surface creepage distance	mm (inch)	23.69 (0.933)		
D_a	Air strike distance	mm (inch)	19.10 (0.752)		

PART NUMBERING GUIDE

D	143	1000	18	N
1	2	3	4	5

1. D — Rectifier Diode
2. Design version
3. Average forward current, A
4. Voltage code
5. Ambient conditions: N – normal; T – tropical



All dimensions in millimeters (inches)